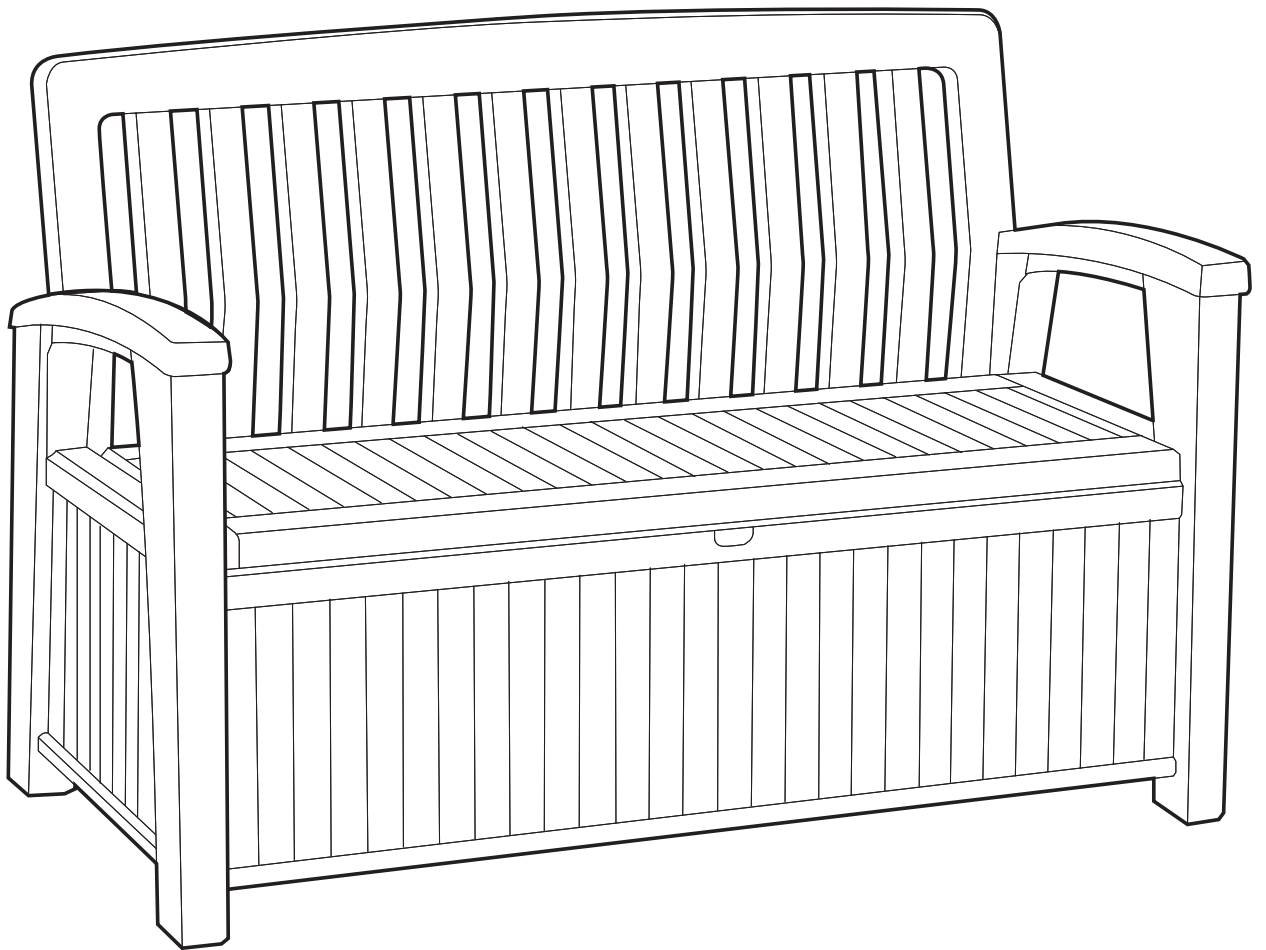
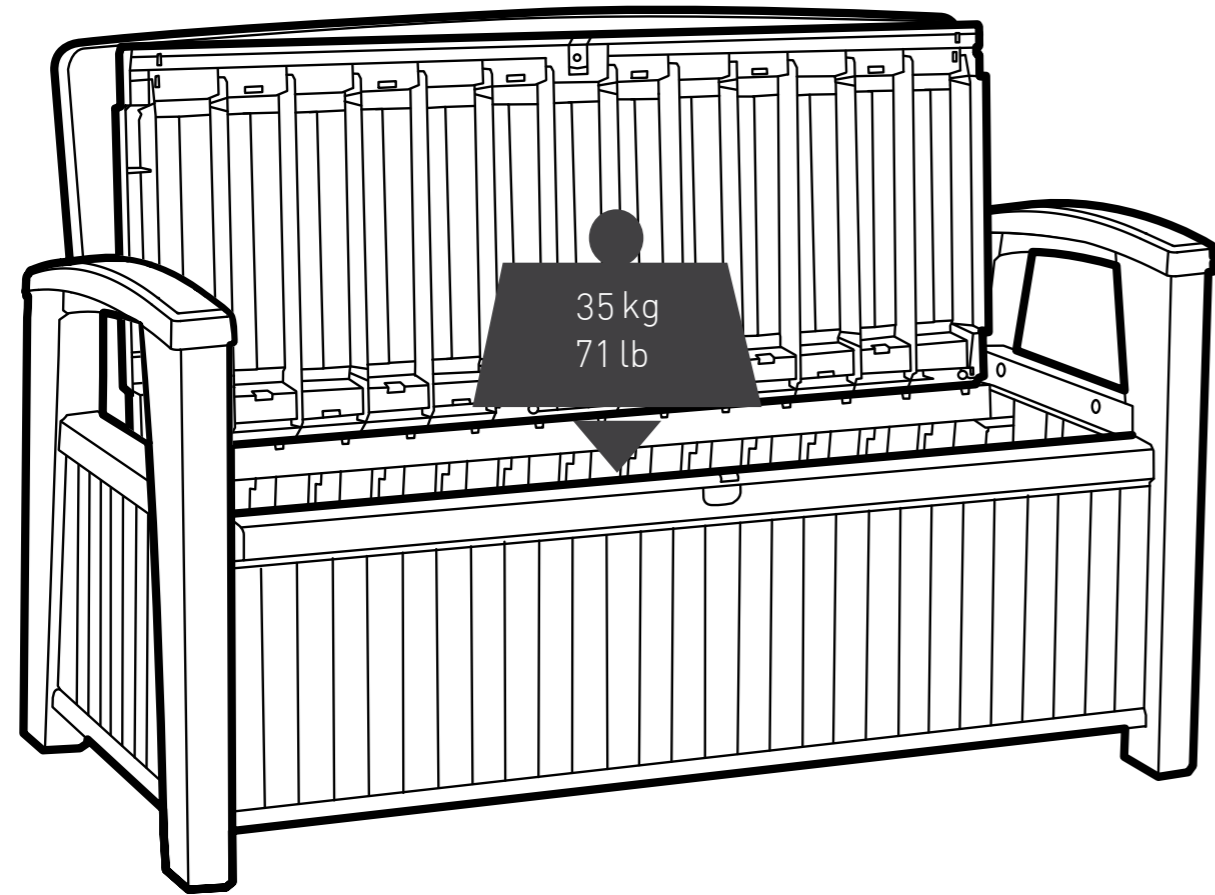
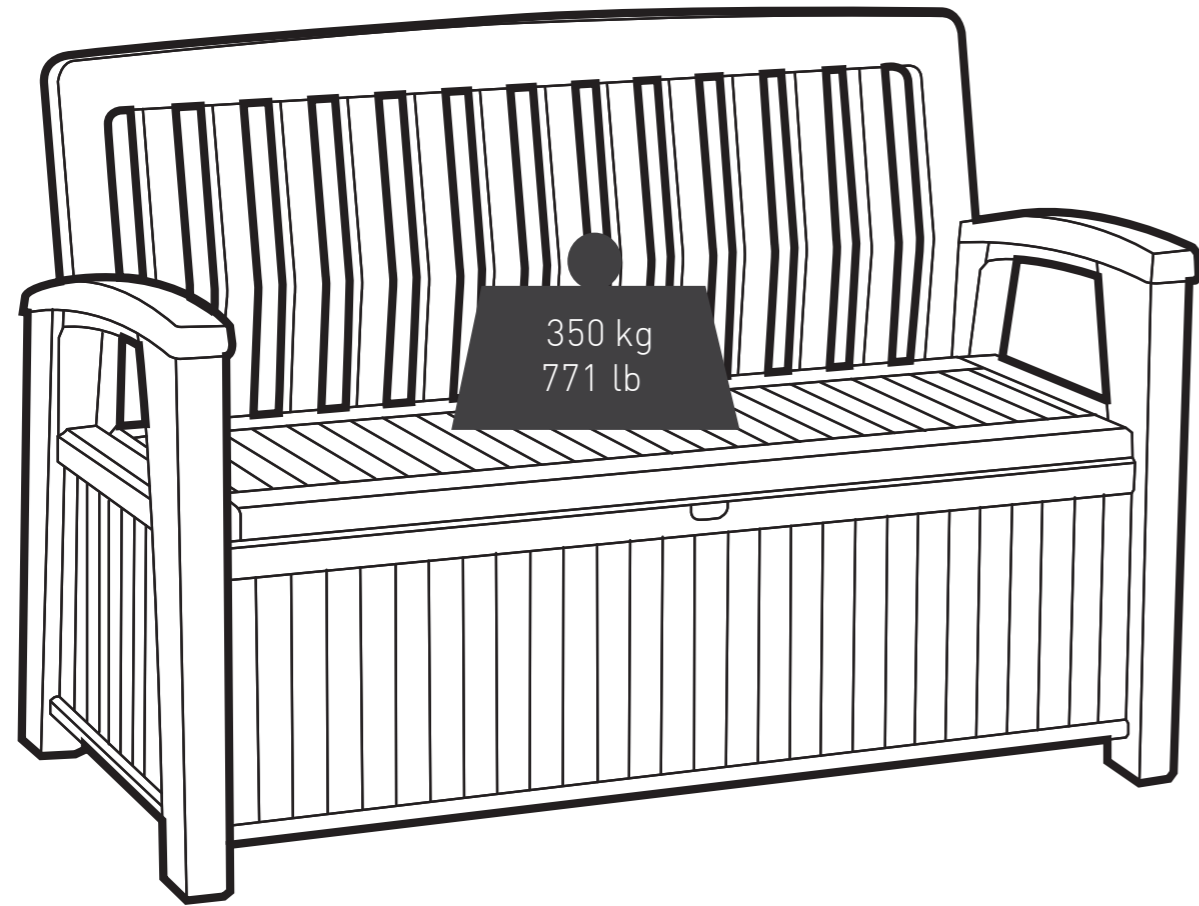


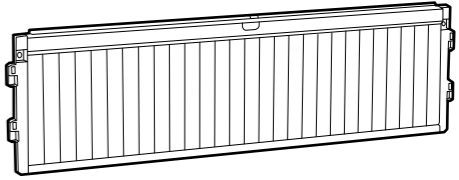
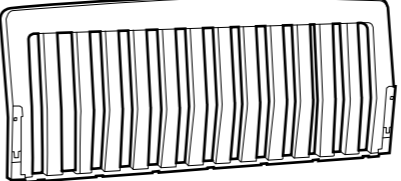
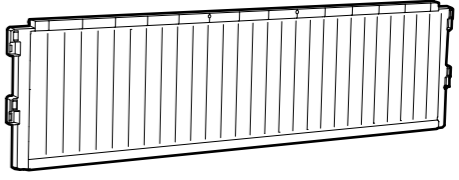
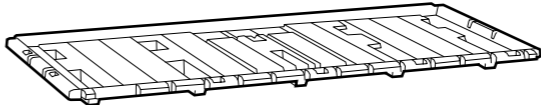
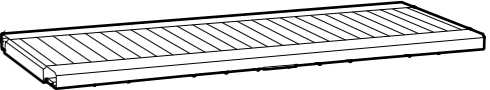
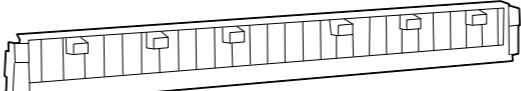
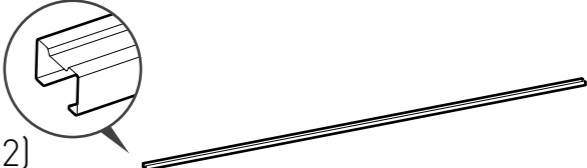
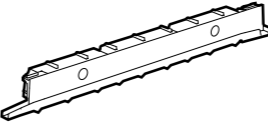
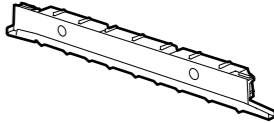
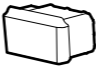
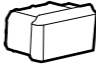





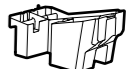








# *КМИН*

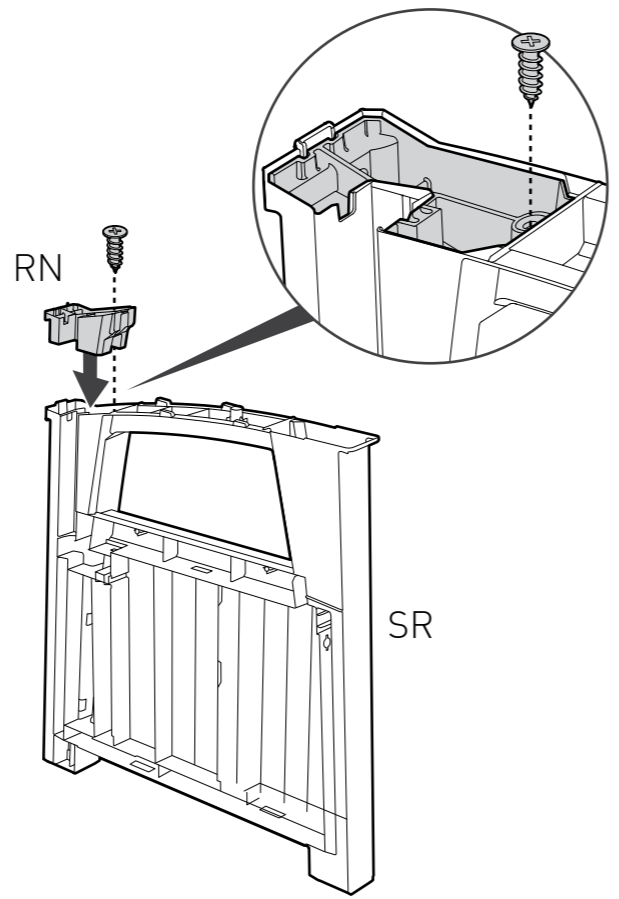
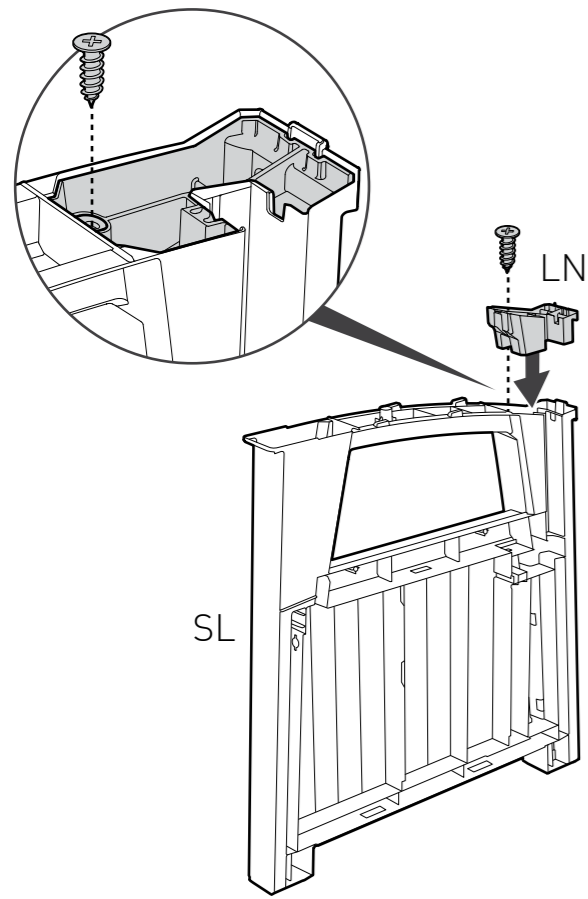
---

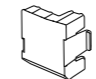
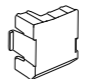


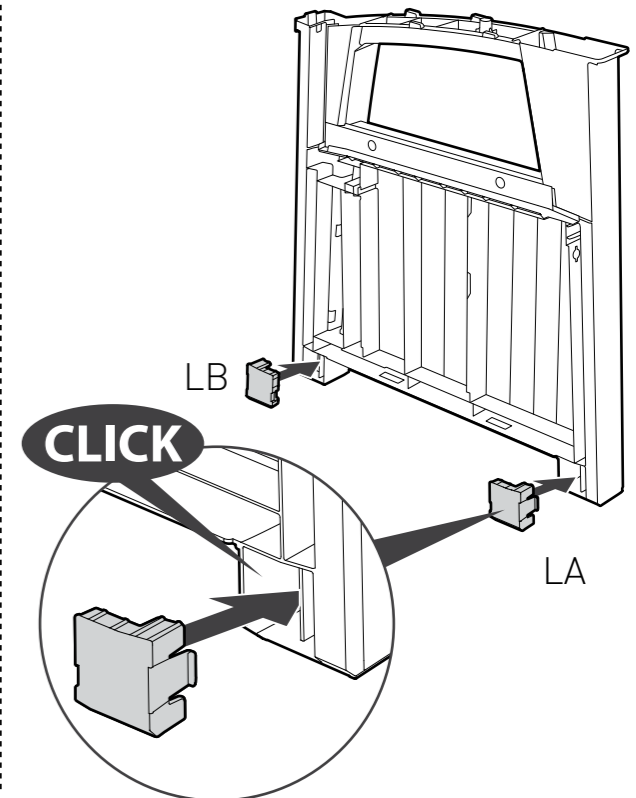
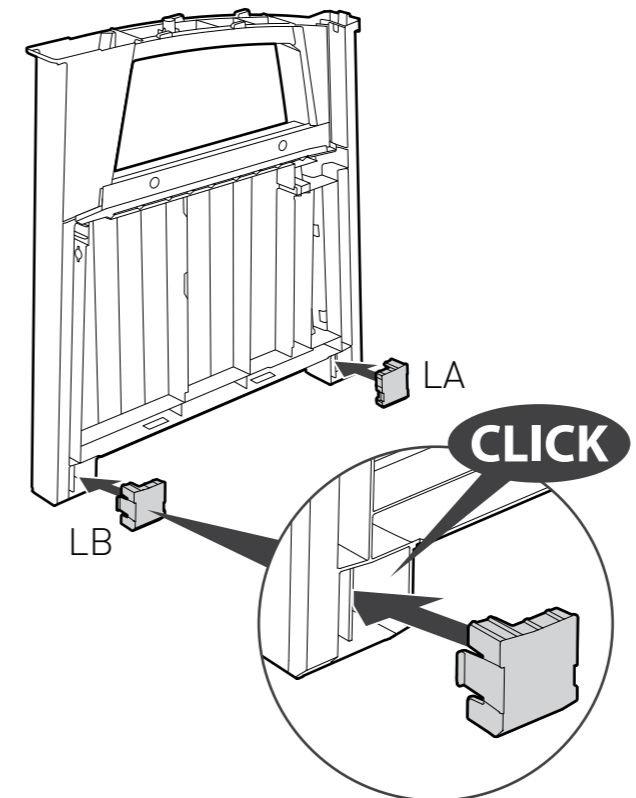


					
SL (x1)	SR (x1)	PF (x1)			
					
BR (x1)		BP (x1)			
					
EP (x1)		LP (x1)			
					
AC (x1)		MP (x2)			
					
WL (x1)		WR (x1)			
					
CFL (x1)	CFR (x1)	AL (x1)	AR (x1)		
					
CBL (x1)	CBR (x1)	LN (x1)	RN (x1)		
					
LA (x2)	LB (x2)	CP (x2)	WL1 (x1)	WL2 (x1)	(x17)

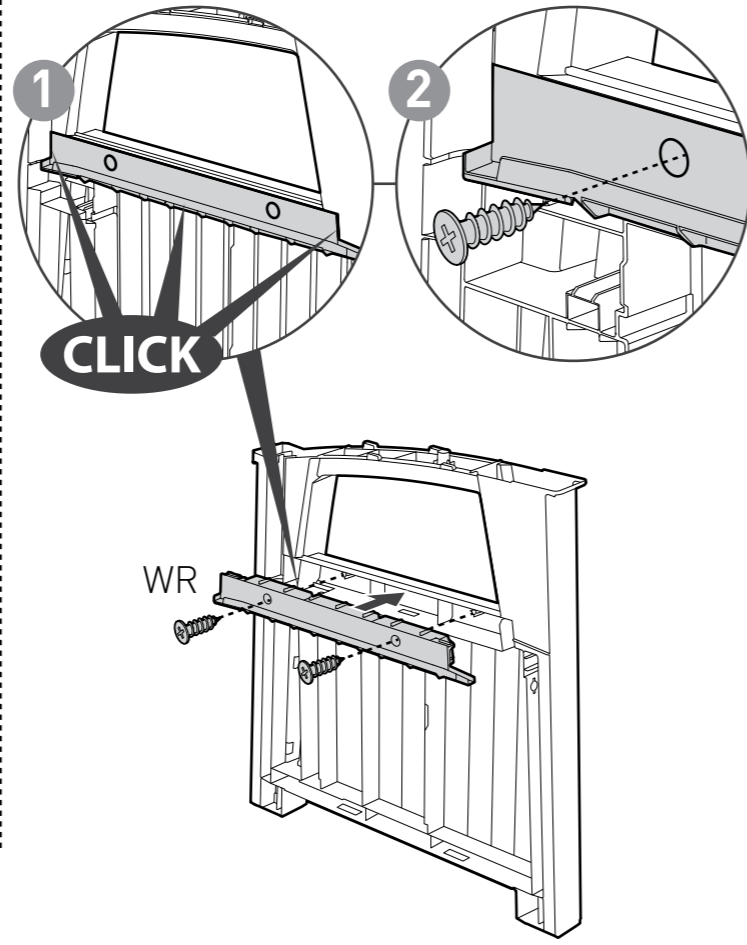
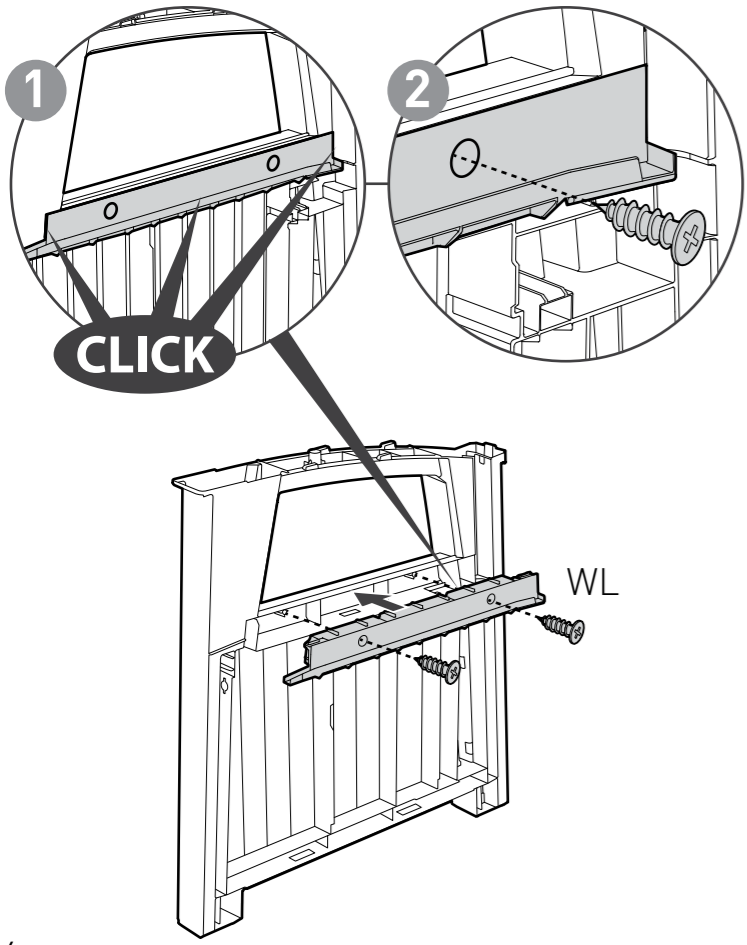
1 |  SL (x1) |  SR (x1) |  LN (x1) |  RN (x1) |  (x2)



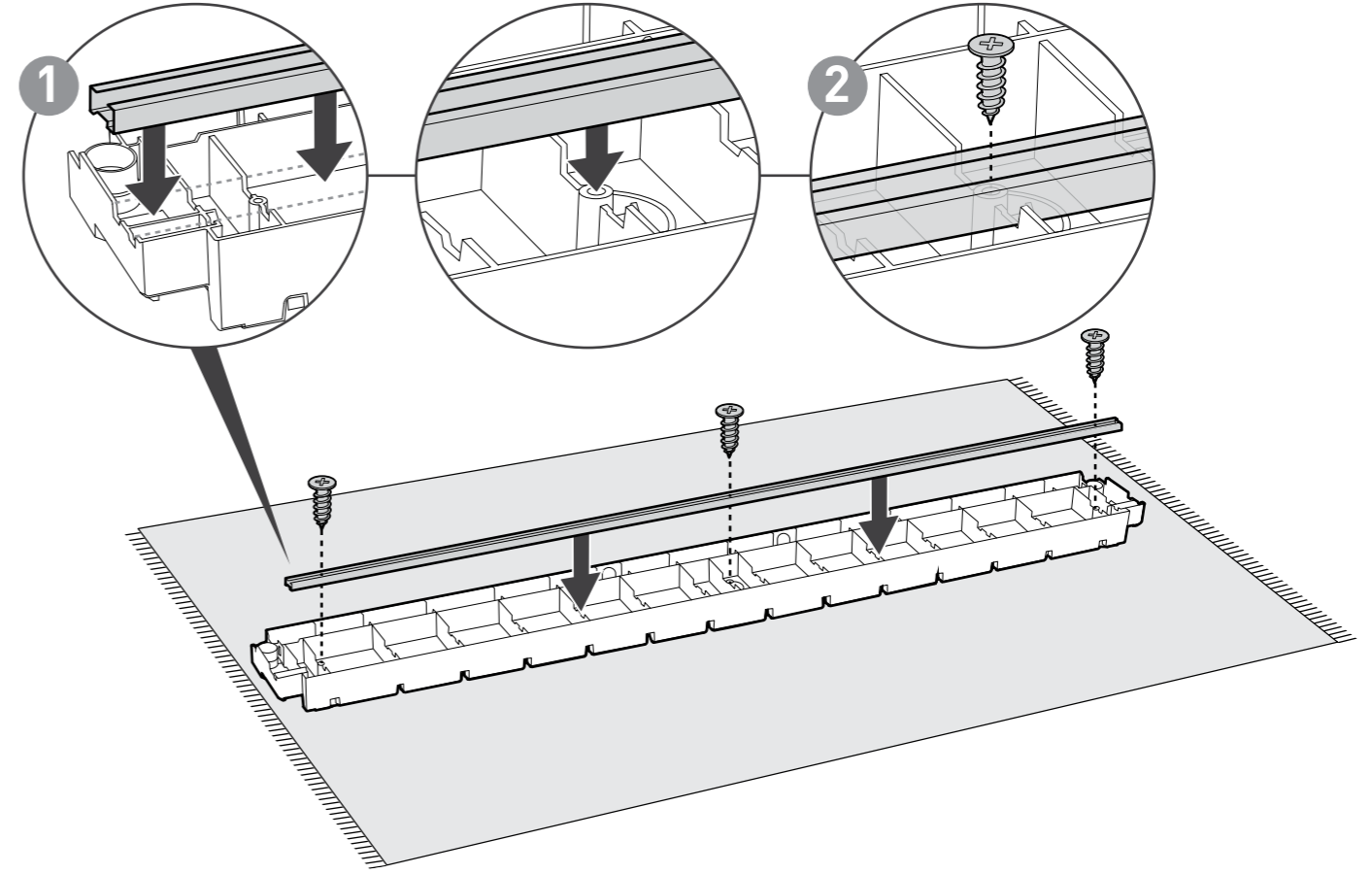
3 |  LA (x2) |  LB (x2)



2 |  WL (x1) |  WR (x1) |  (x4)



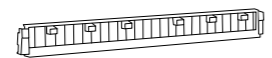
4 |  AC (x1) |  MP (x1) |  (x3)



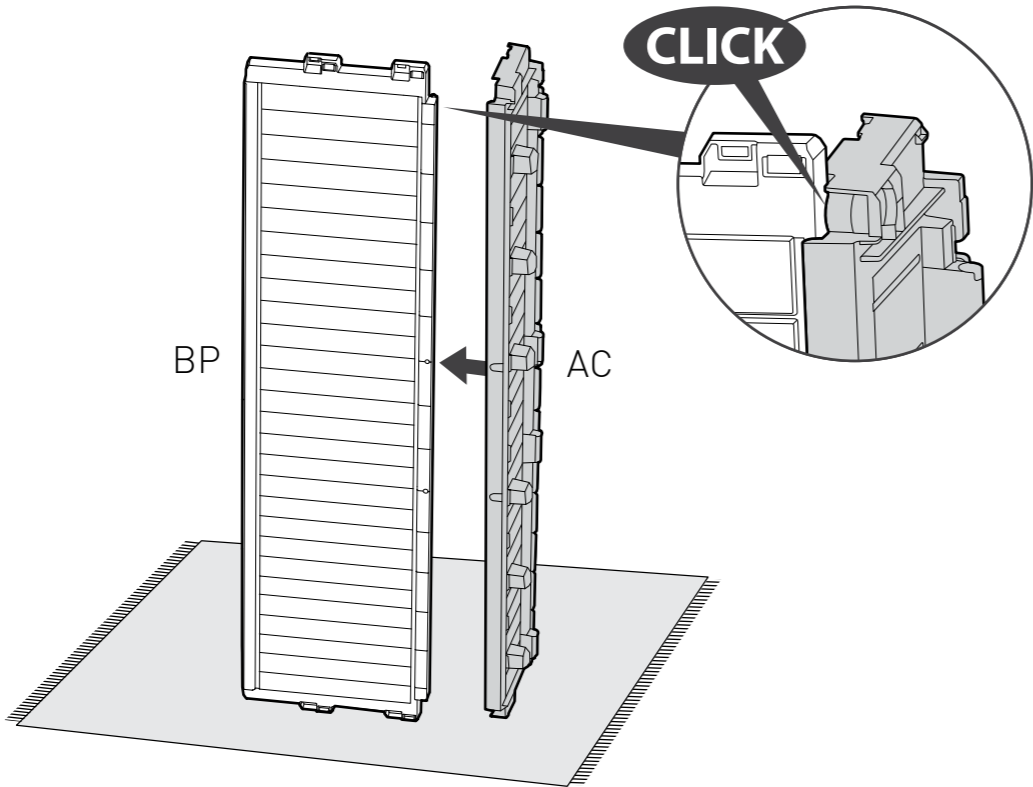
5



BP (x1)



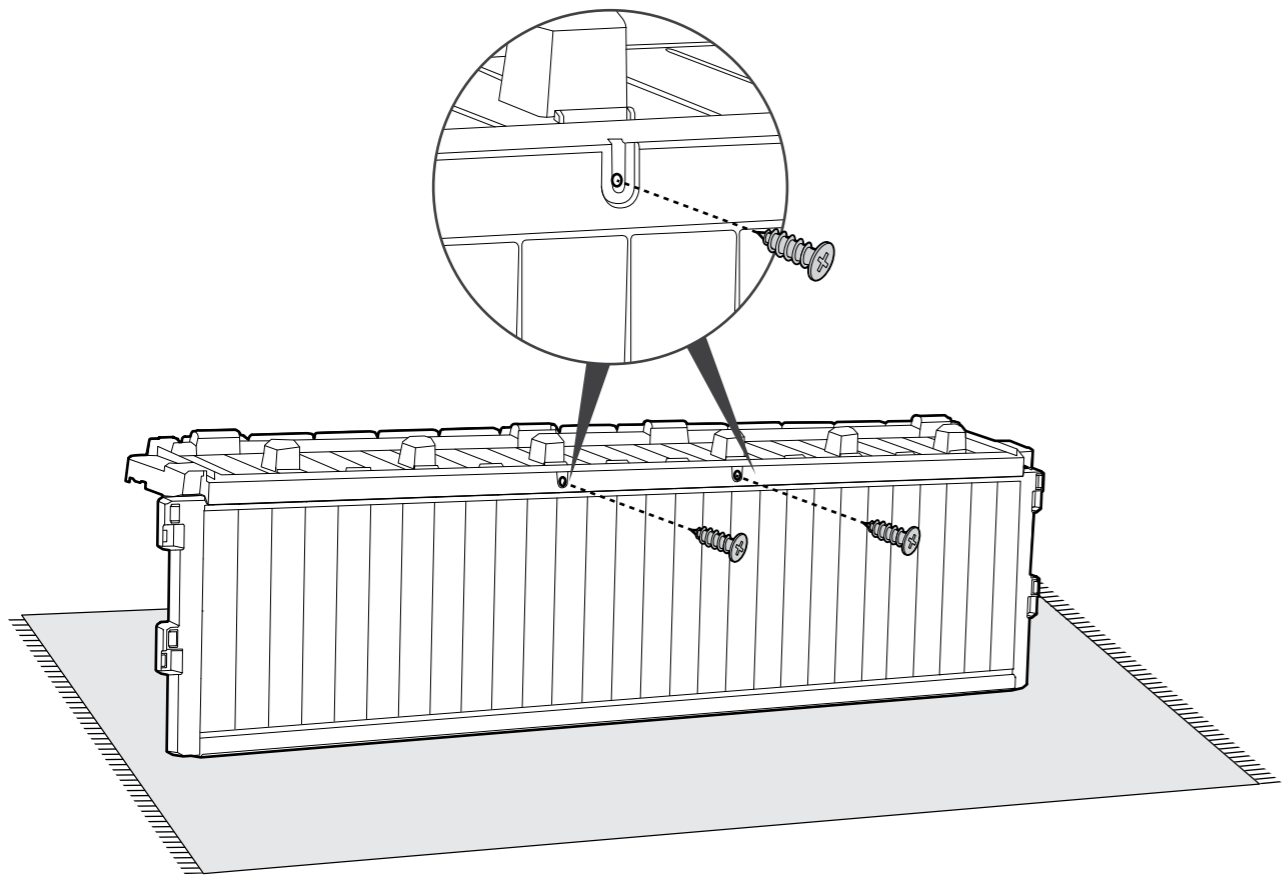
AC (x1)



6



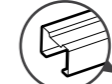
(x2)



7



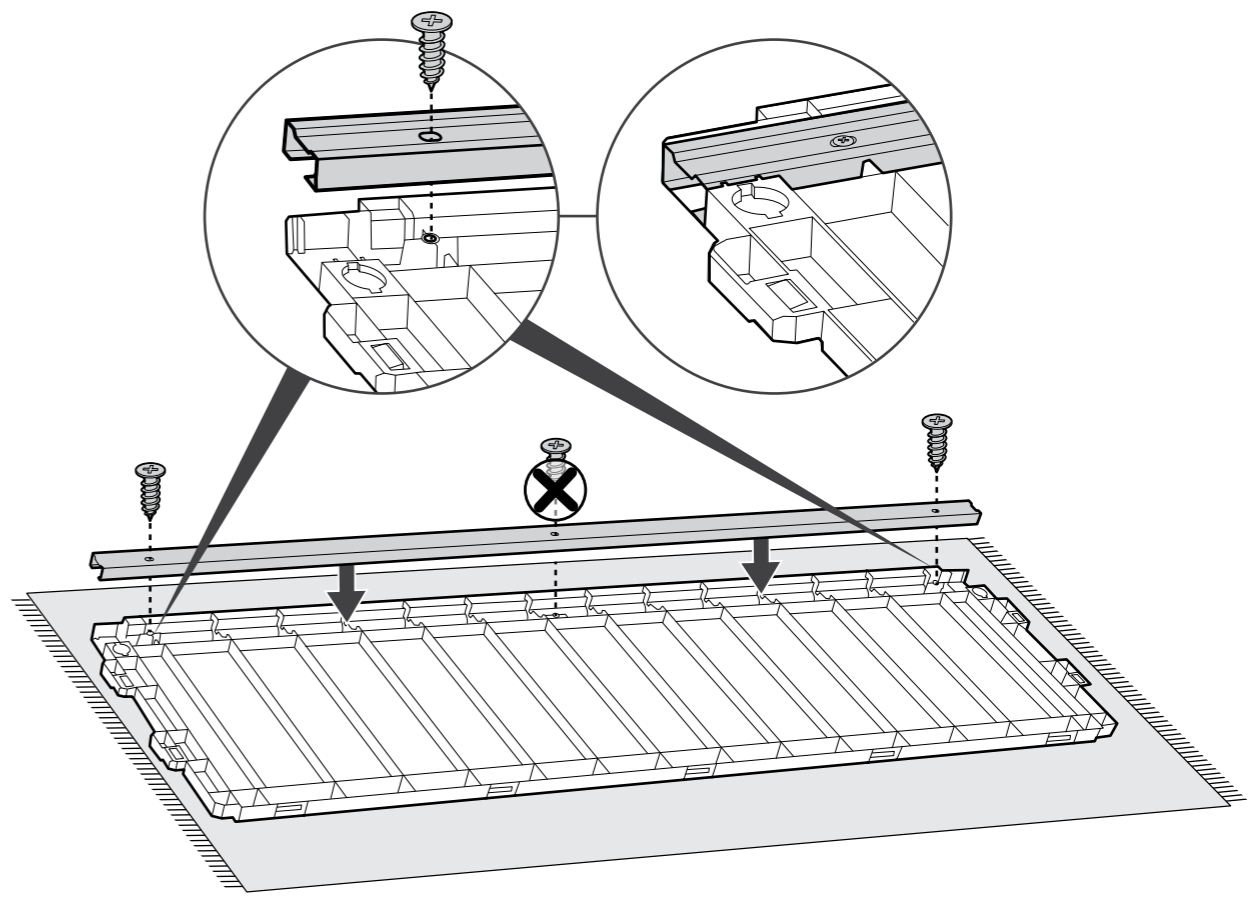
PF (x1)



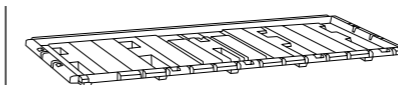
MP (x1)



(x2)



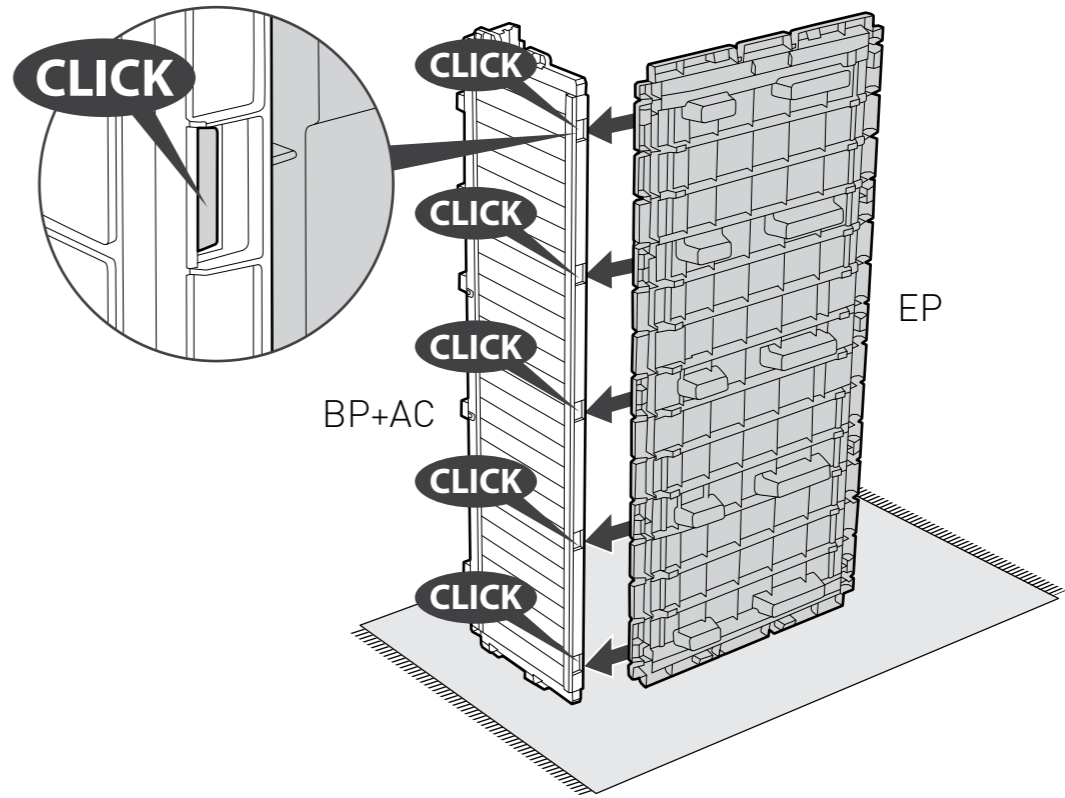
8



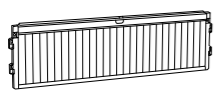
EP (x1)



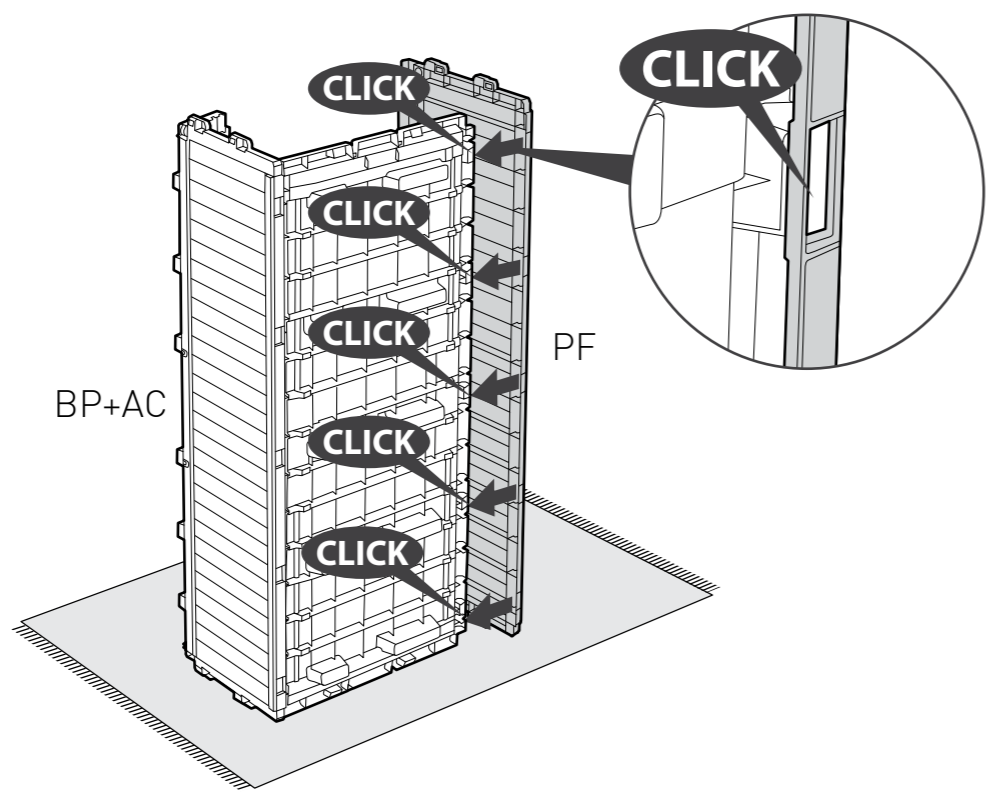
BP+AC (x1)



9



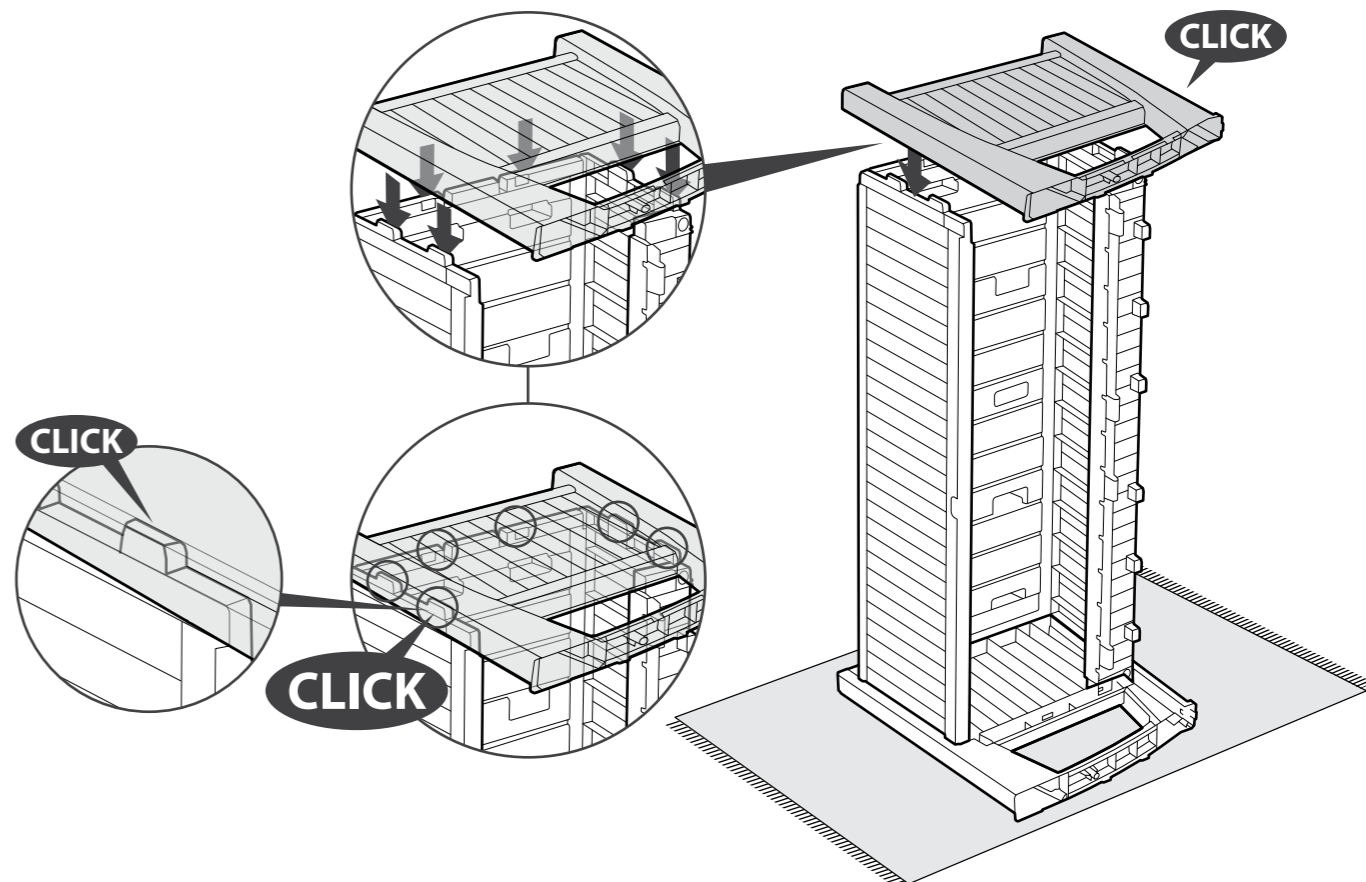
PF (x1)



11



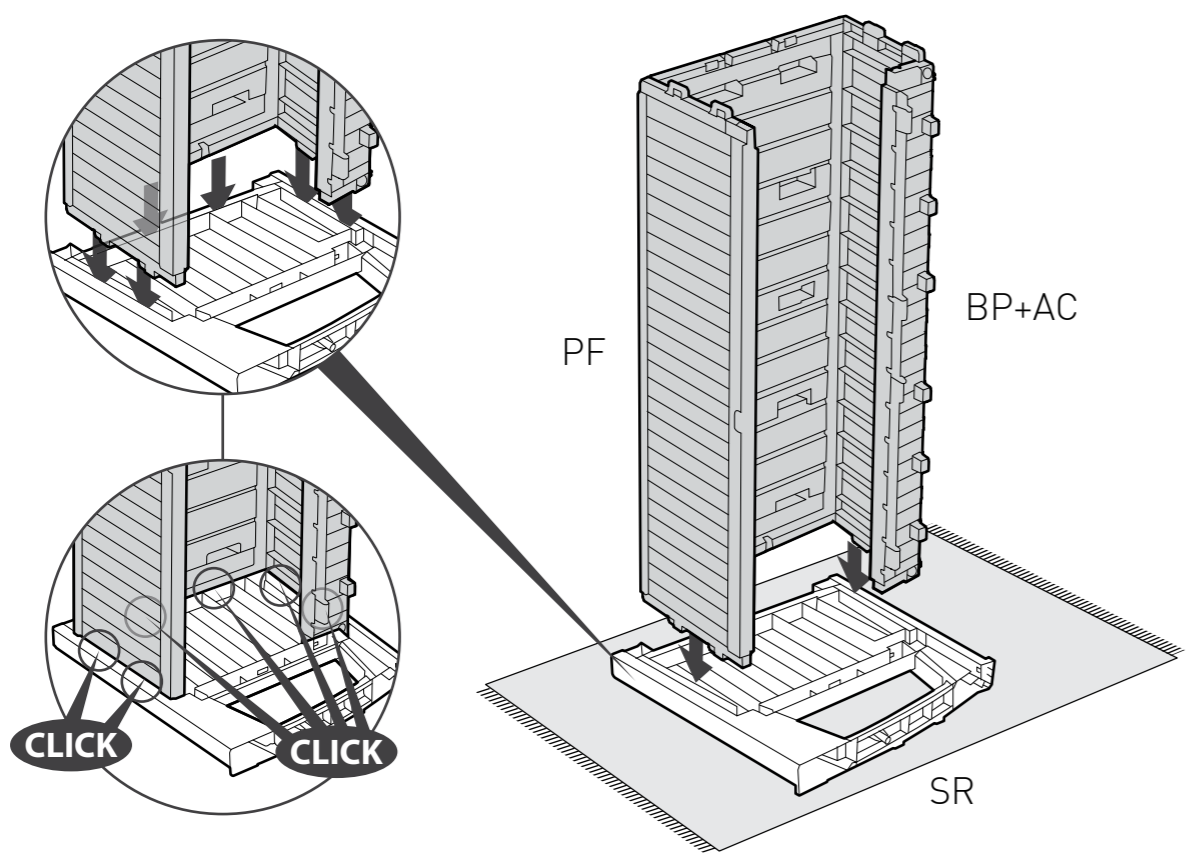
SL (x1)



10



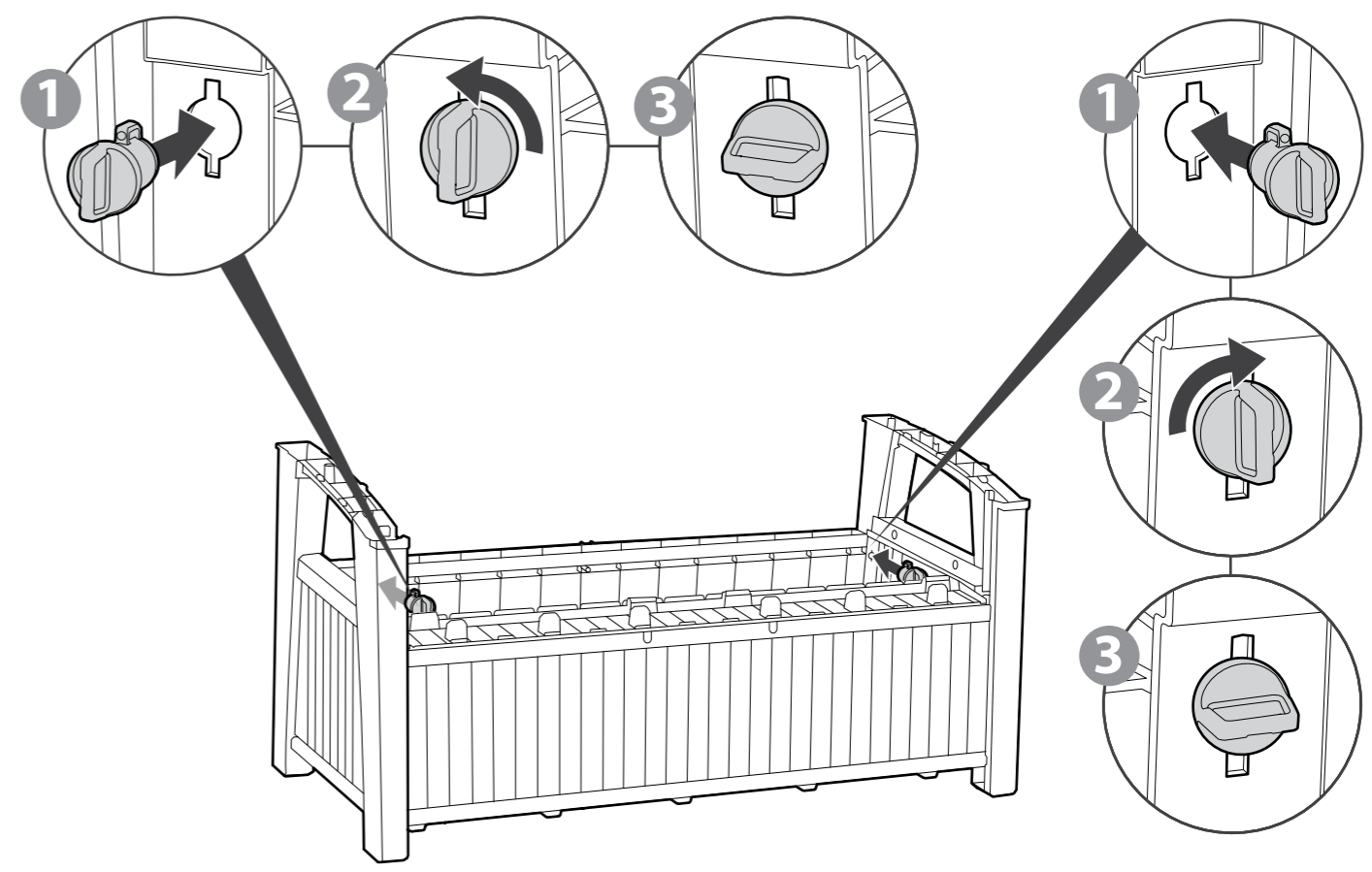
SR (x1)



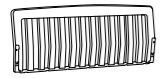
12



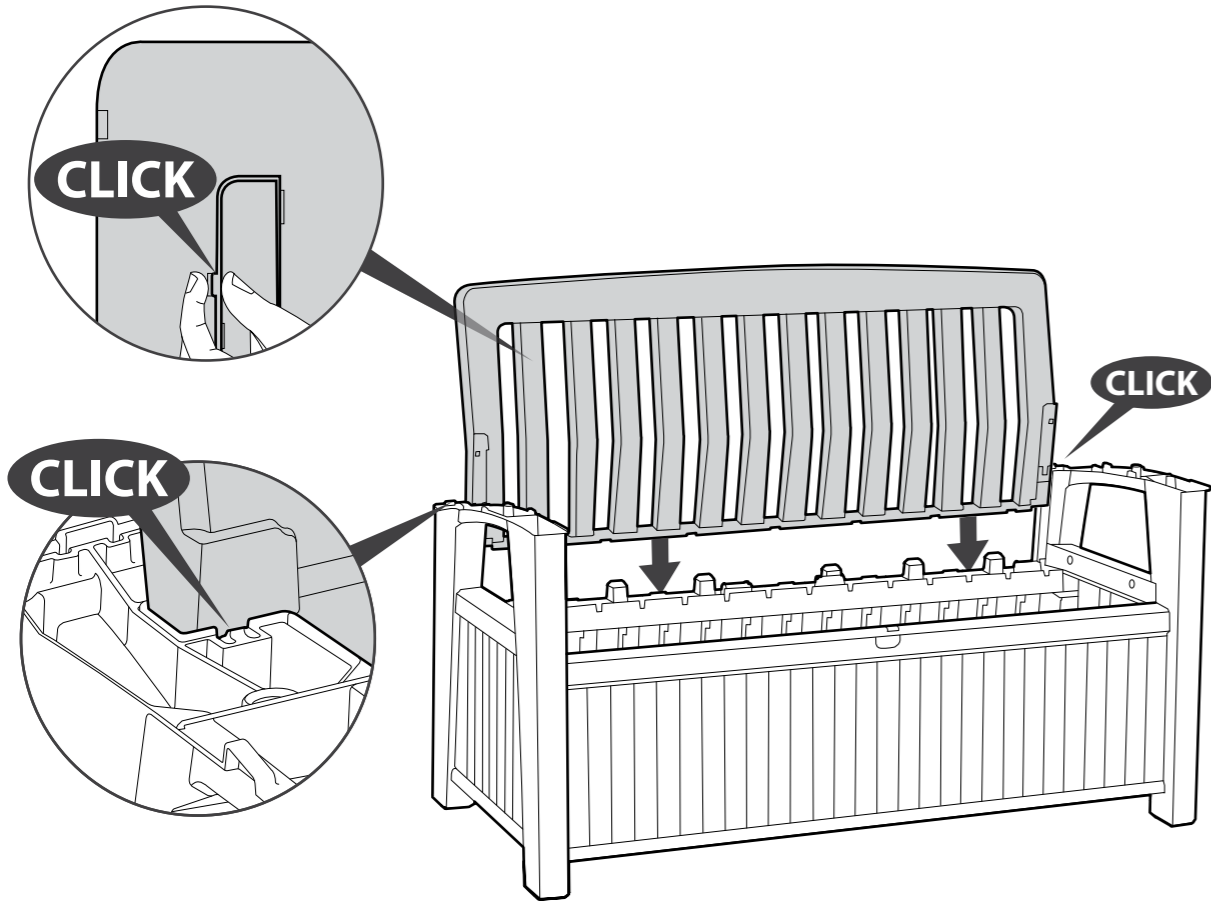
CP (x2)



13



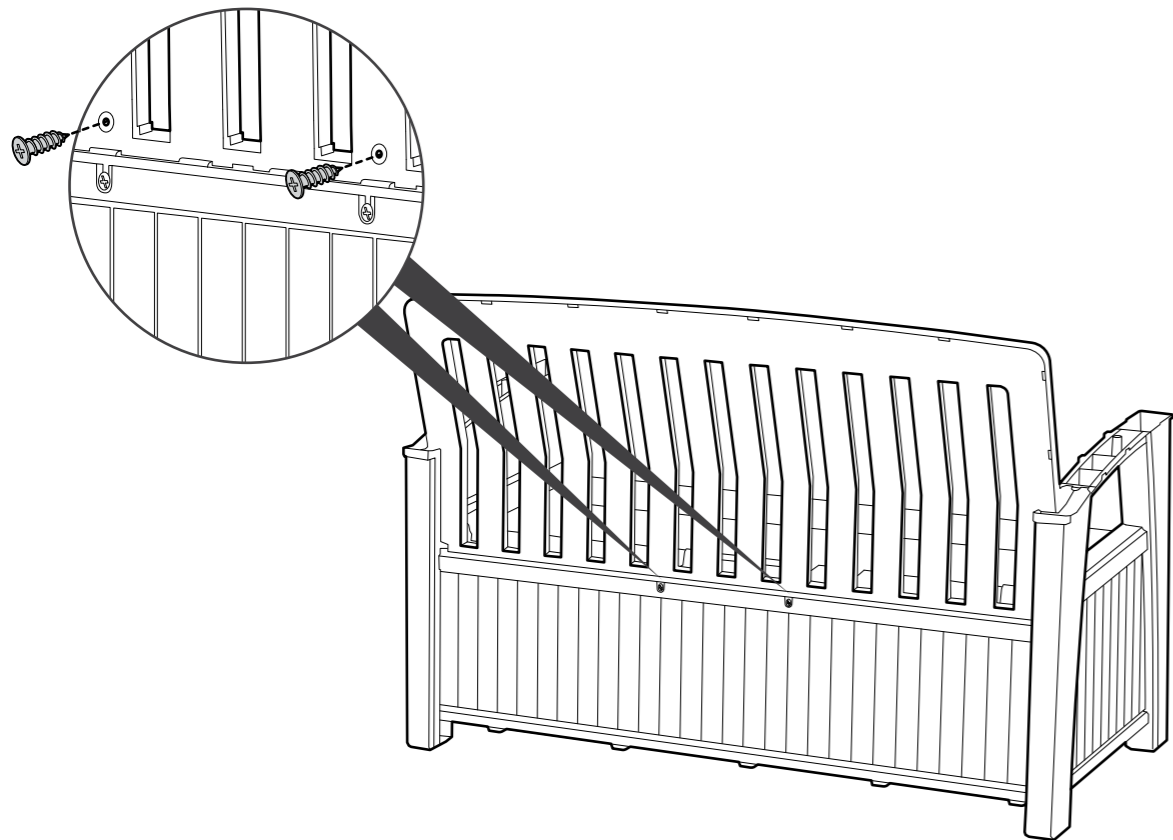
BR (x1)



14



(x2)



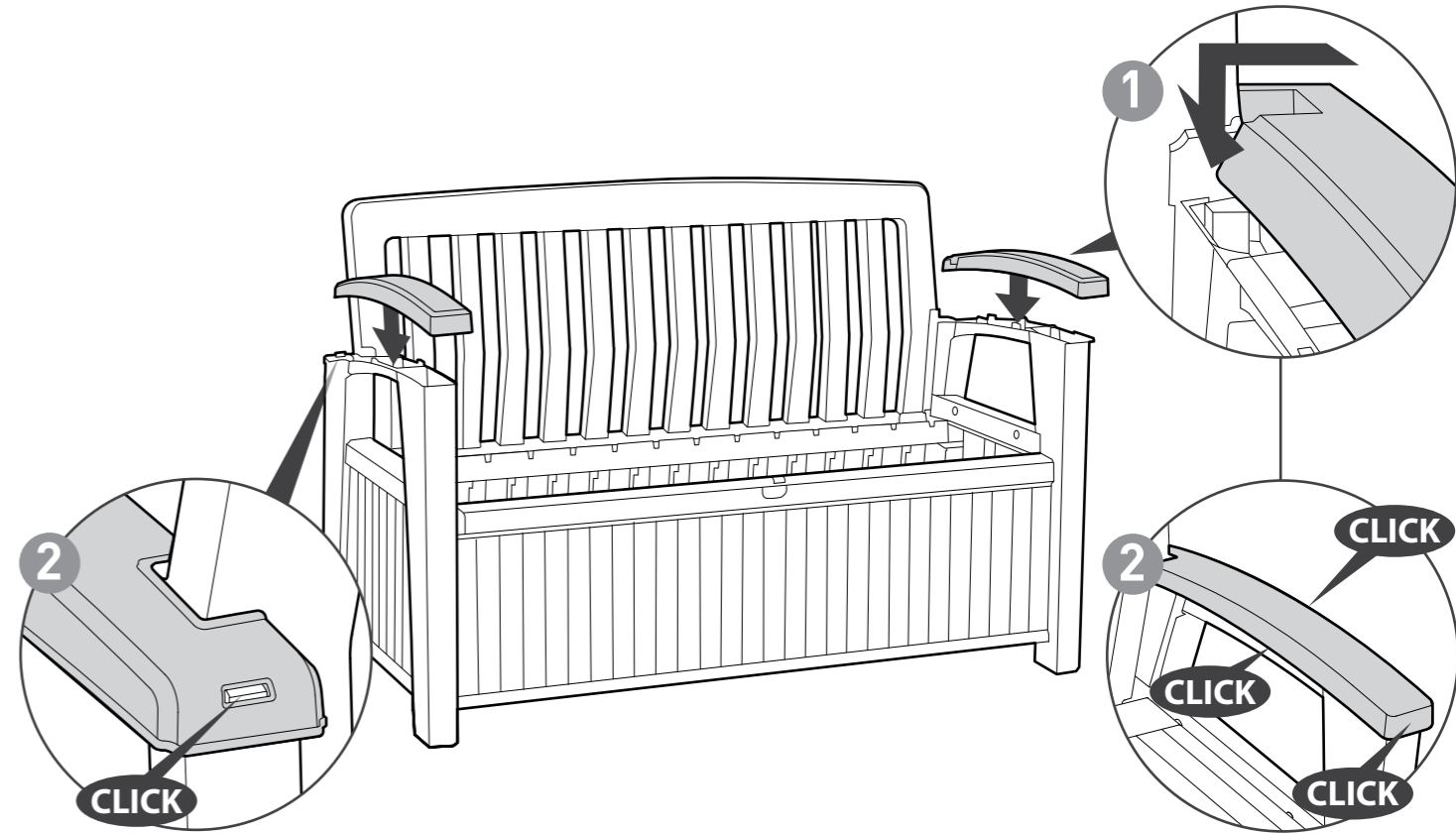
15



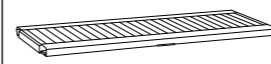
AL (x1)



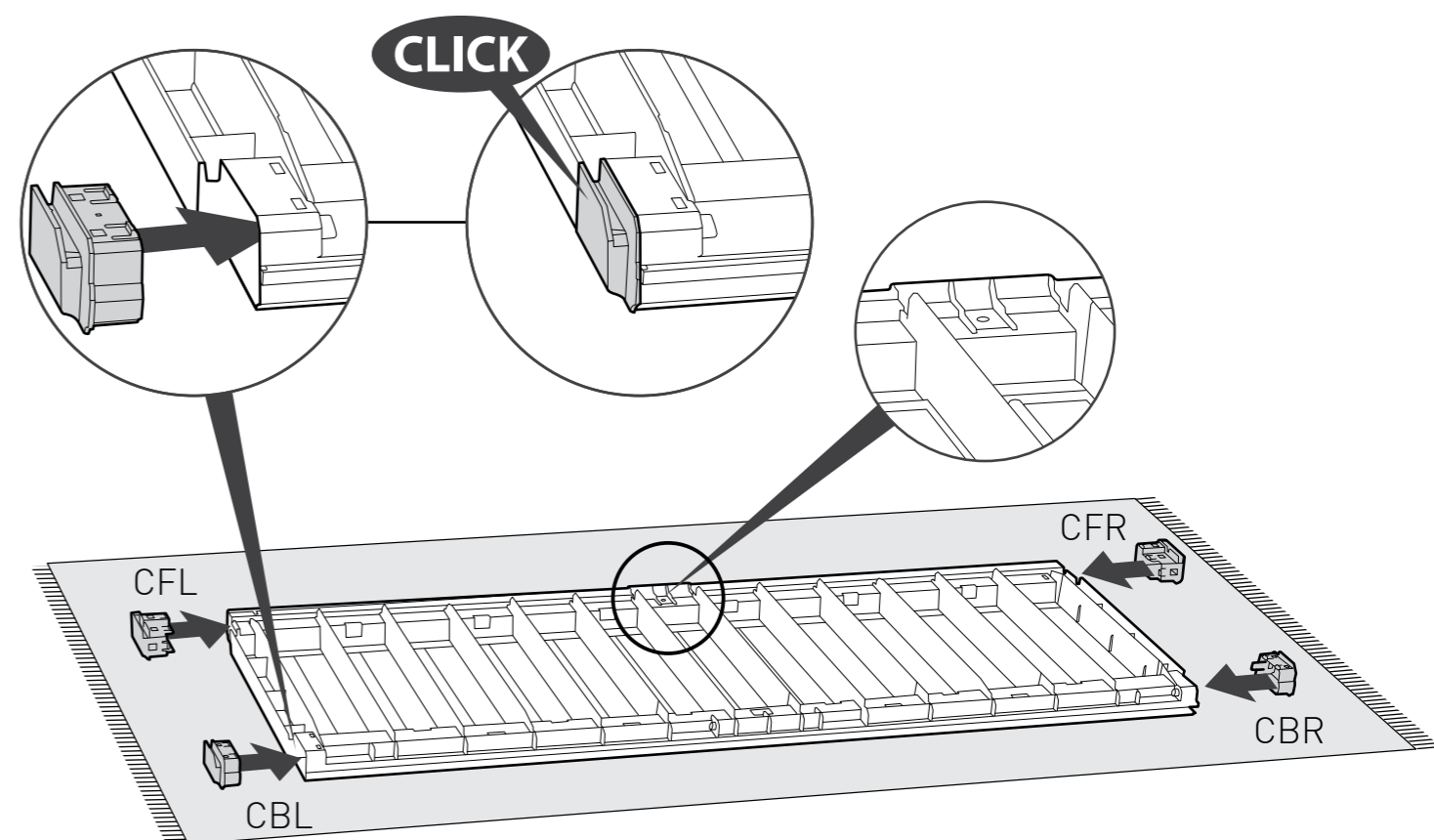
AR (x1)



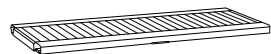
16



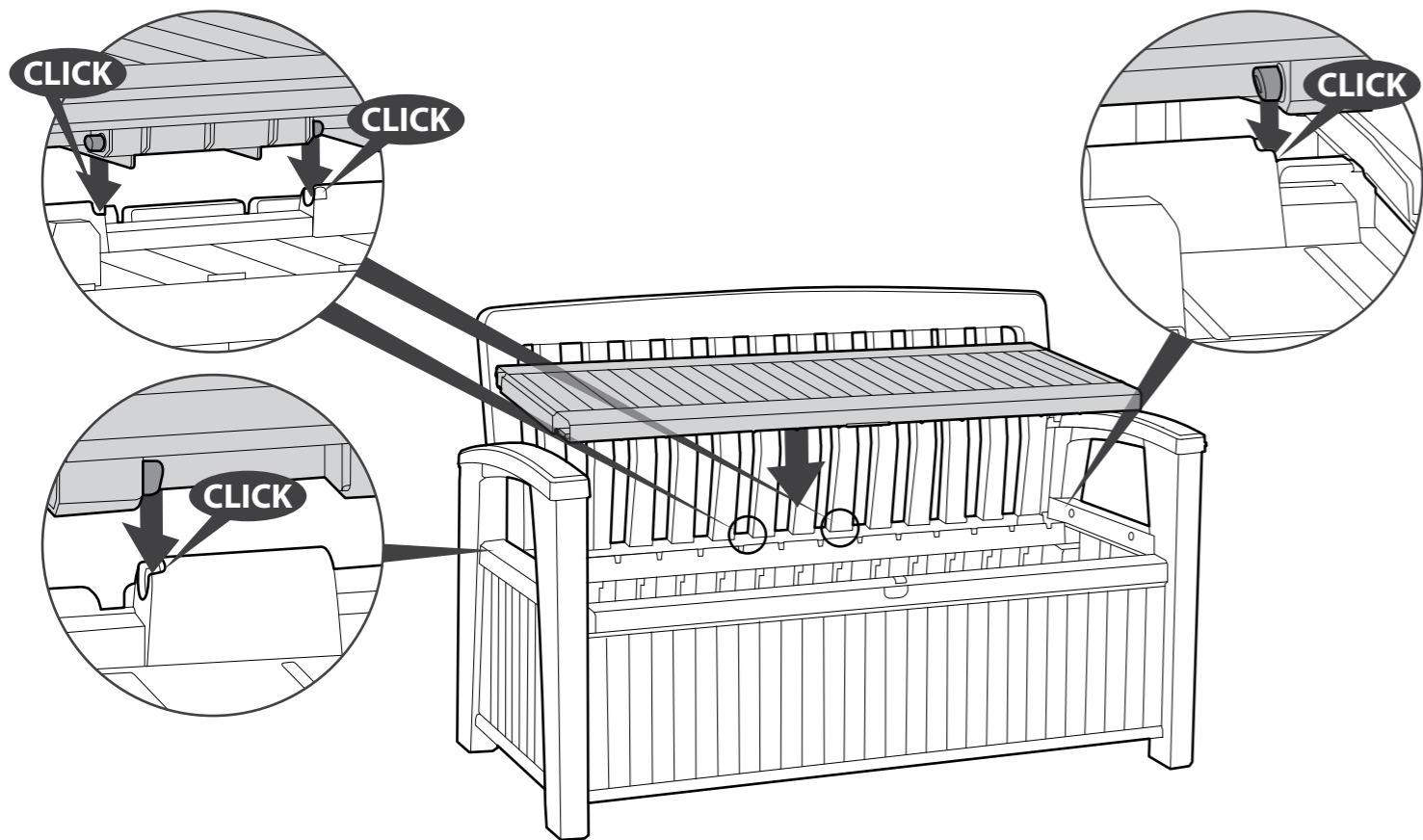
LP (x1)



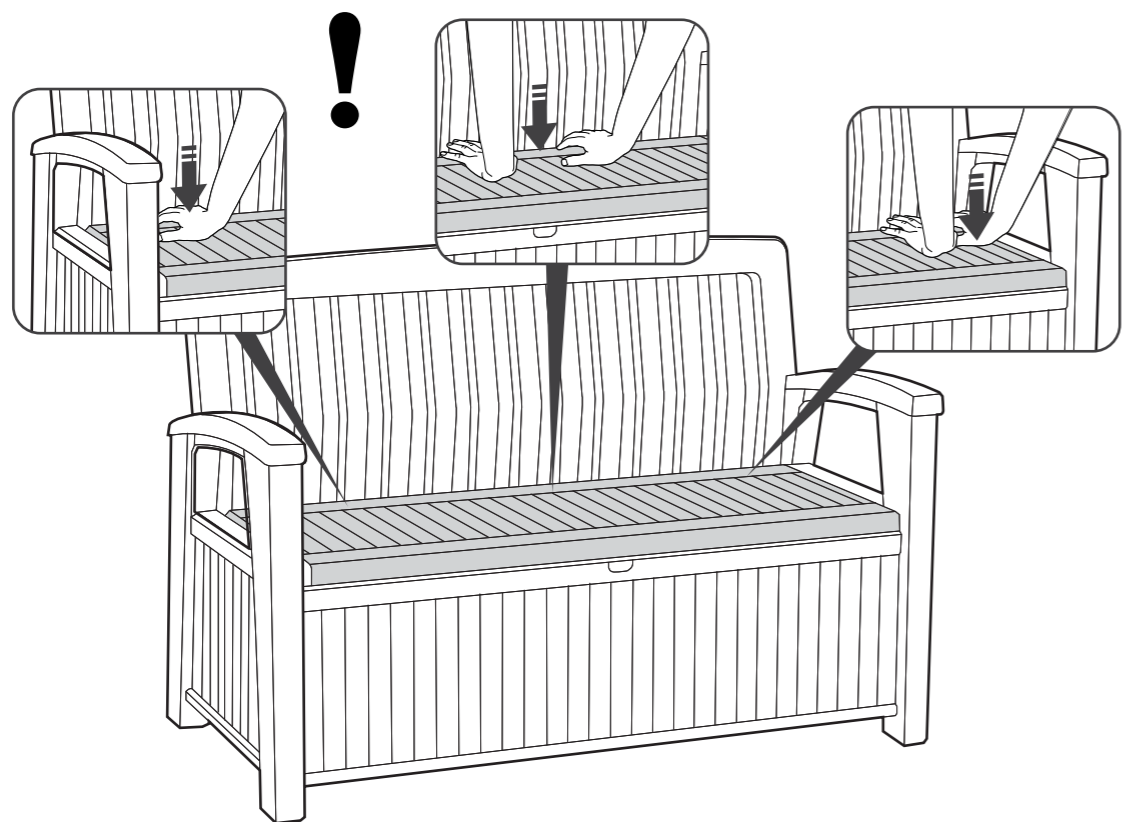
17



LP (x1)



18



19



WL1 (x1)



WL2 (x1)



(x2)

