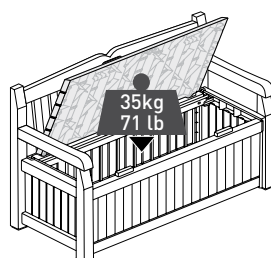
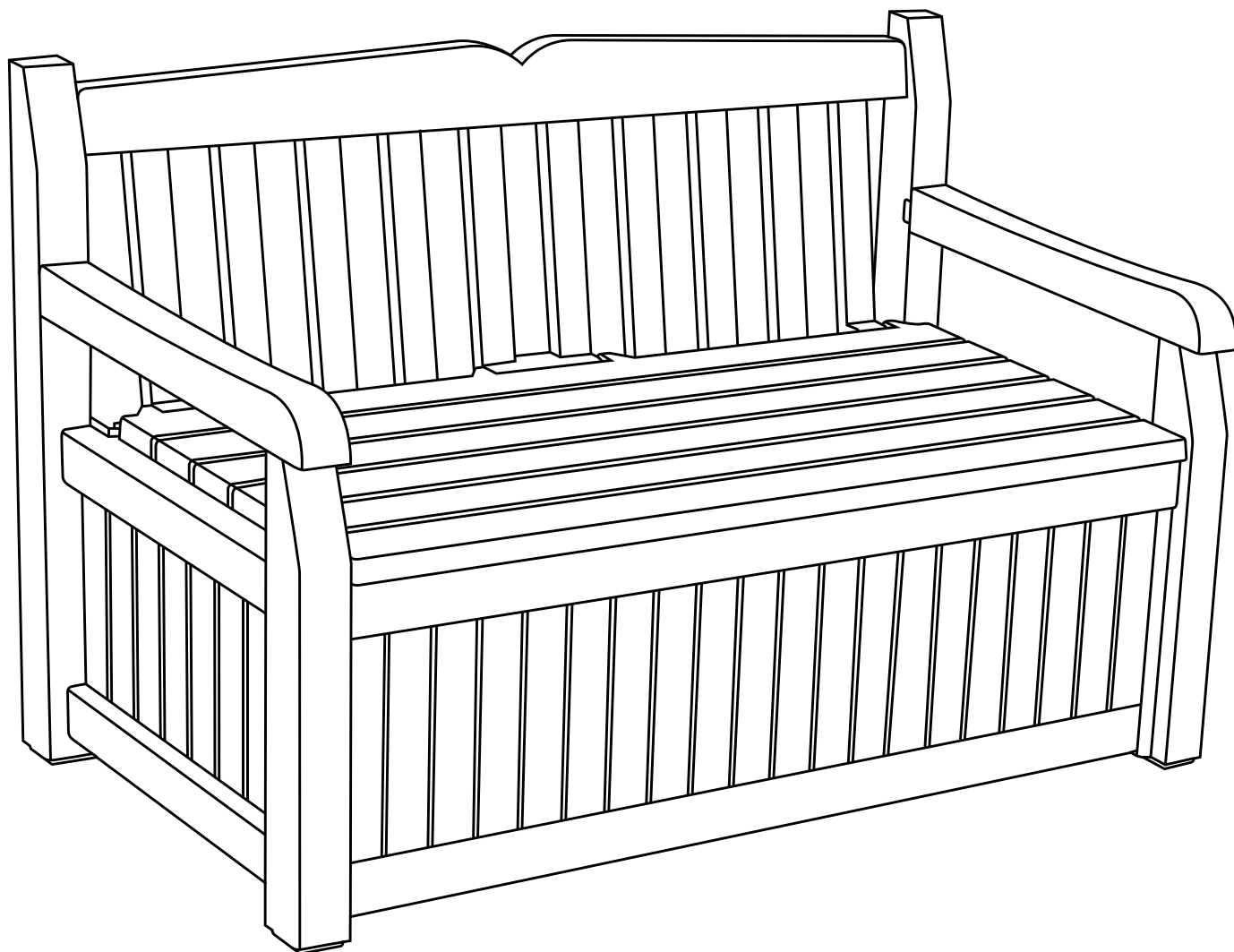
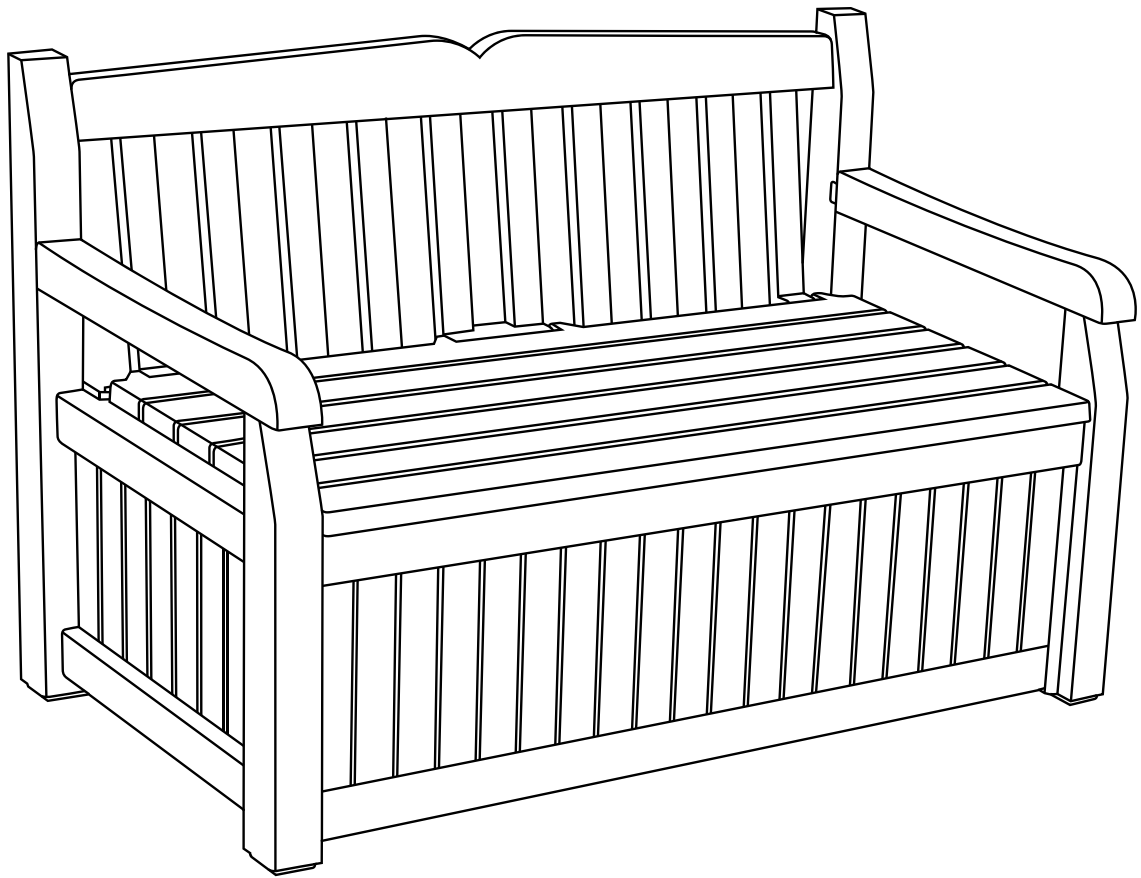


# САНДАЛ

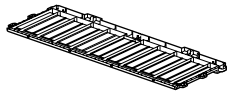
---





<p><b>BP(x1)</b></p>	<p><b>RS-1(x1)</b></p>	<p><b>FN(x1)</b></p>	<p><b>BN(x1)</b></p>		
	<p><b>LS-2(x1)</b></p>	<p><b>BK(x1)</b></p>	<p><b>BC(x1)</b></p>		
<p><b>BM(x1)</b></p>	<p><b>BKC(x1)</b></p>		<p><b>MN(x2)</b></p>		
<p><b>BG-(1,2,3,4)(x1)</b></p>	<p><b>P (1,2)(x1)</b></p>	<p><b>BL1(x1)</b></p>	<p><b>BL2(x1)</b></p>	<p><b>SCW11(x9)</b></p>	<p><b>SCW12(x14)</b></p>

1



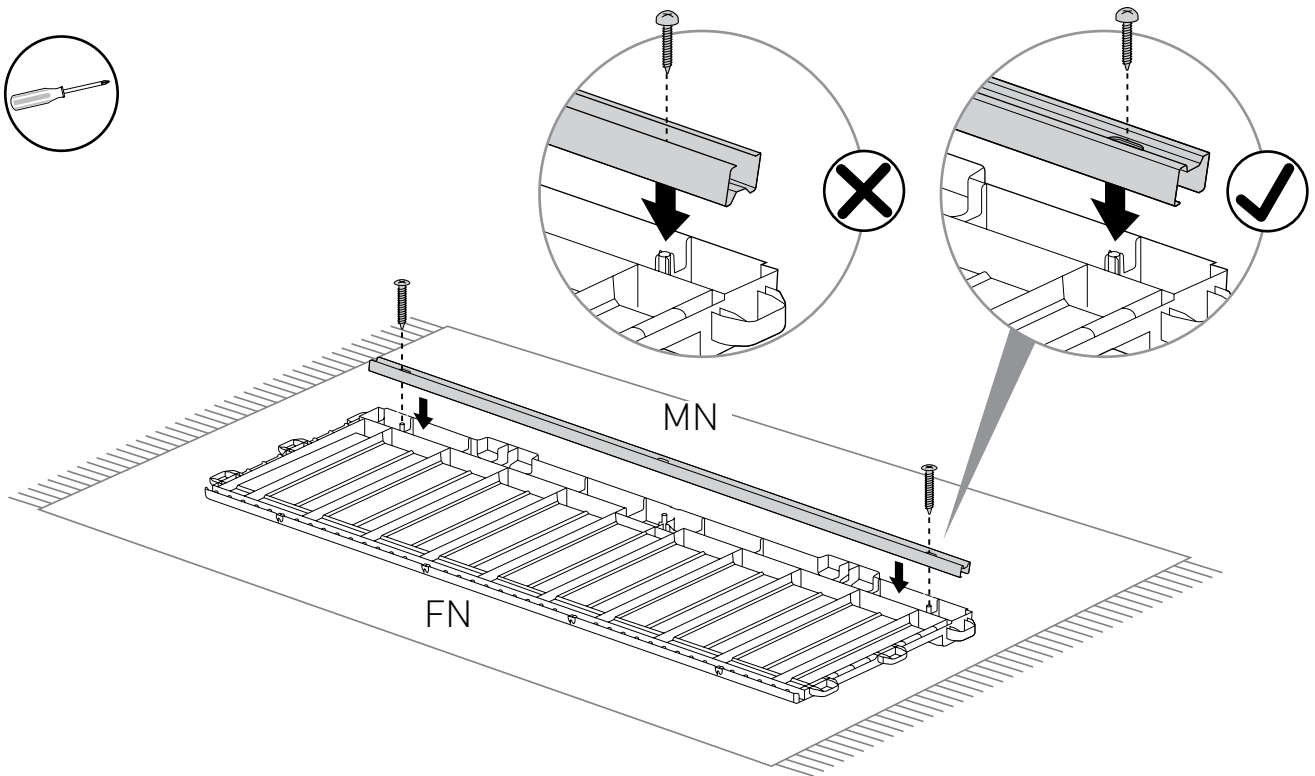
FN (x1) |



MN (x1) |



SCW11 (x2)



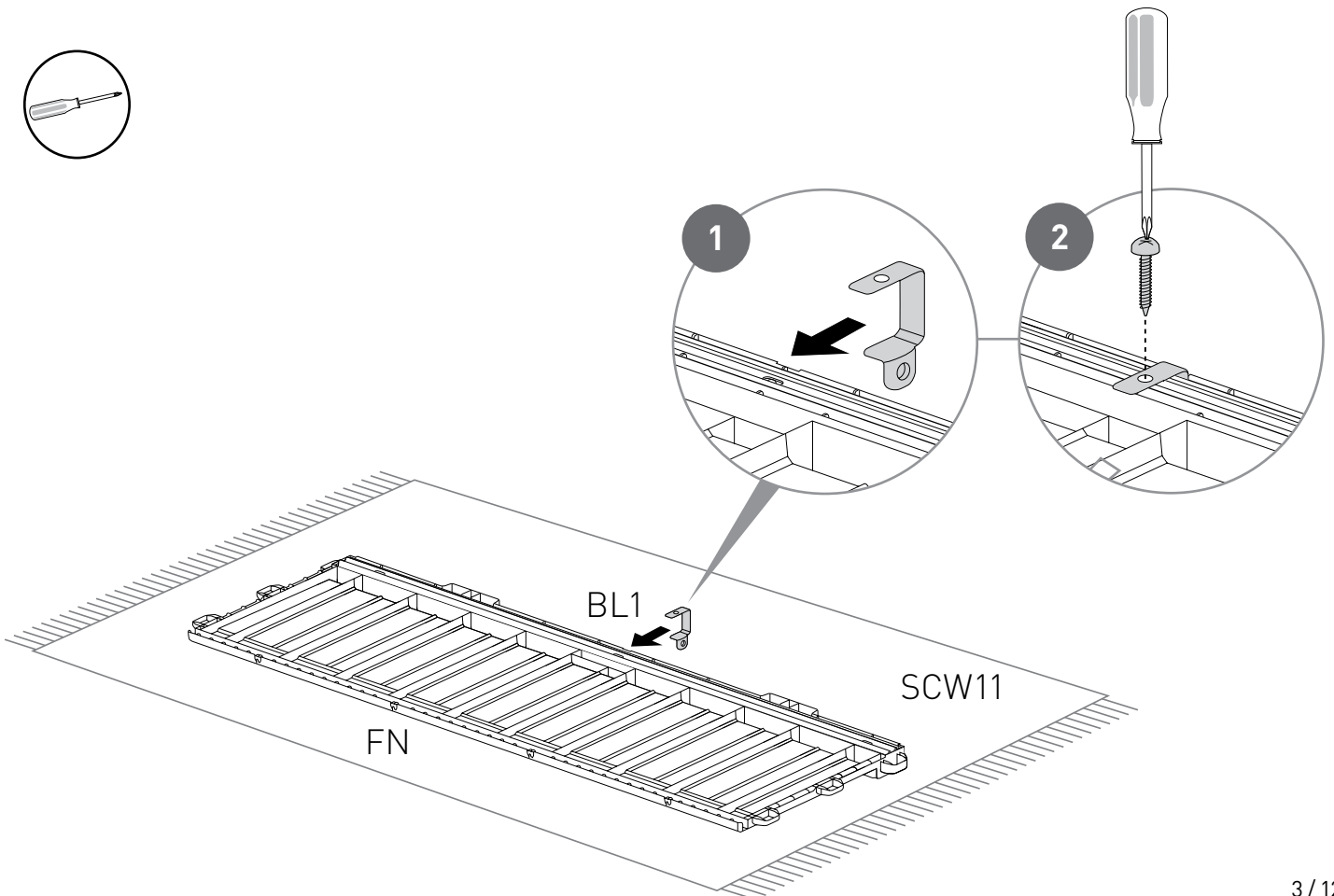
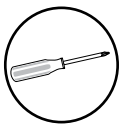
2



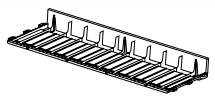
BL1 (x1) |



SCW11 (x1)



3



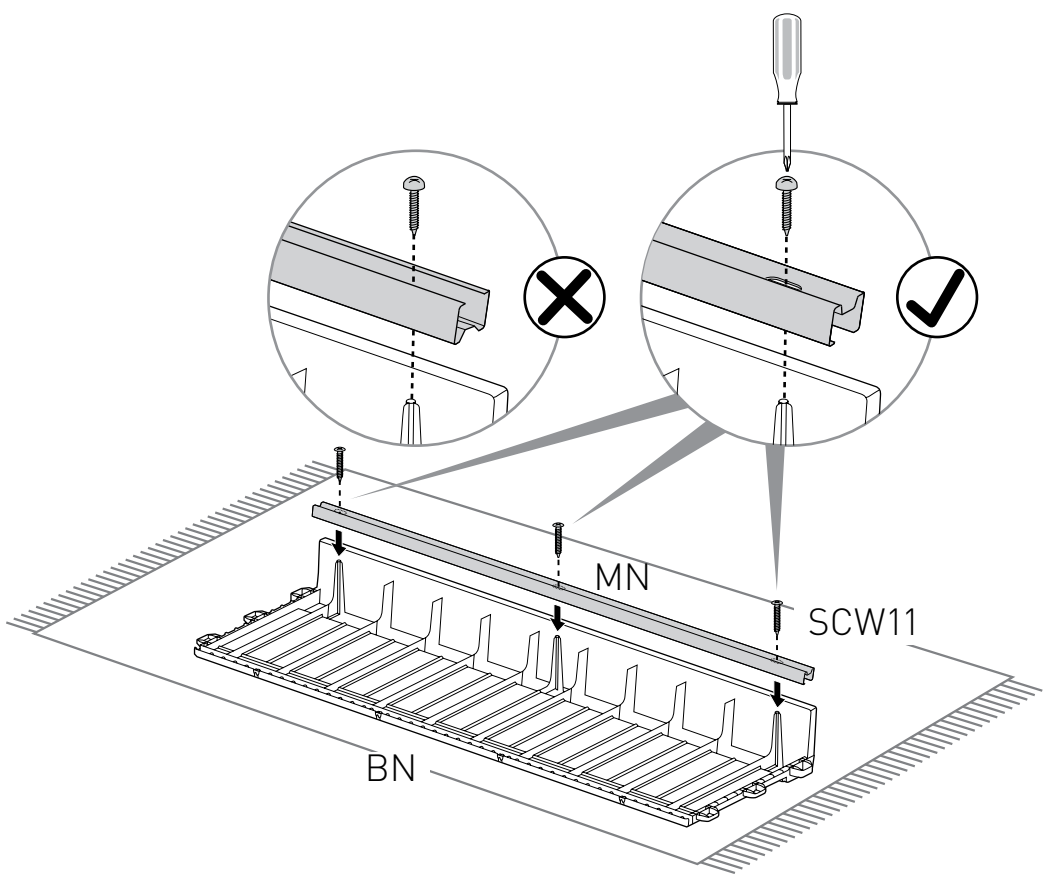
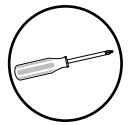
BN (x1)



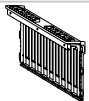
MN (x1)



SCW11 (x3)



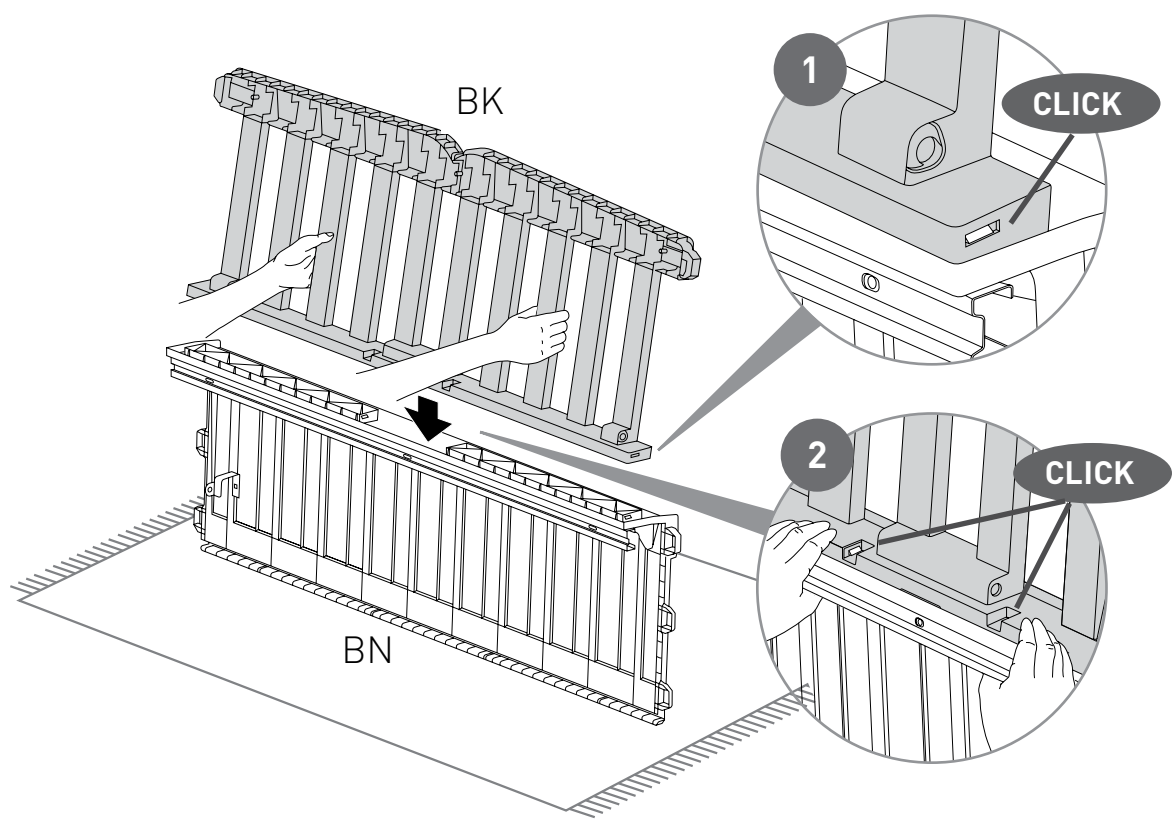
4



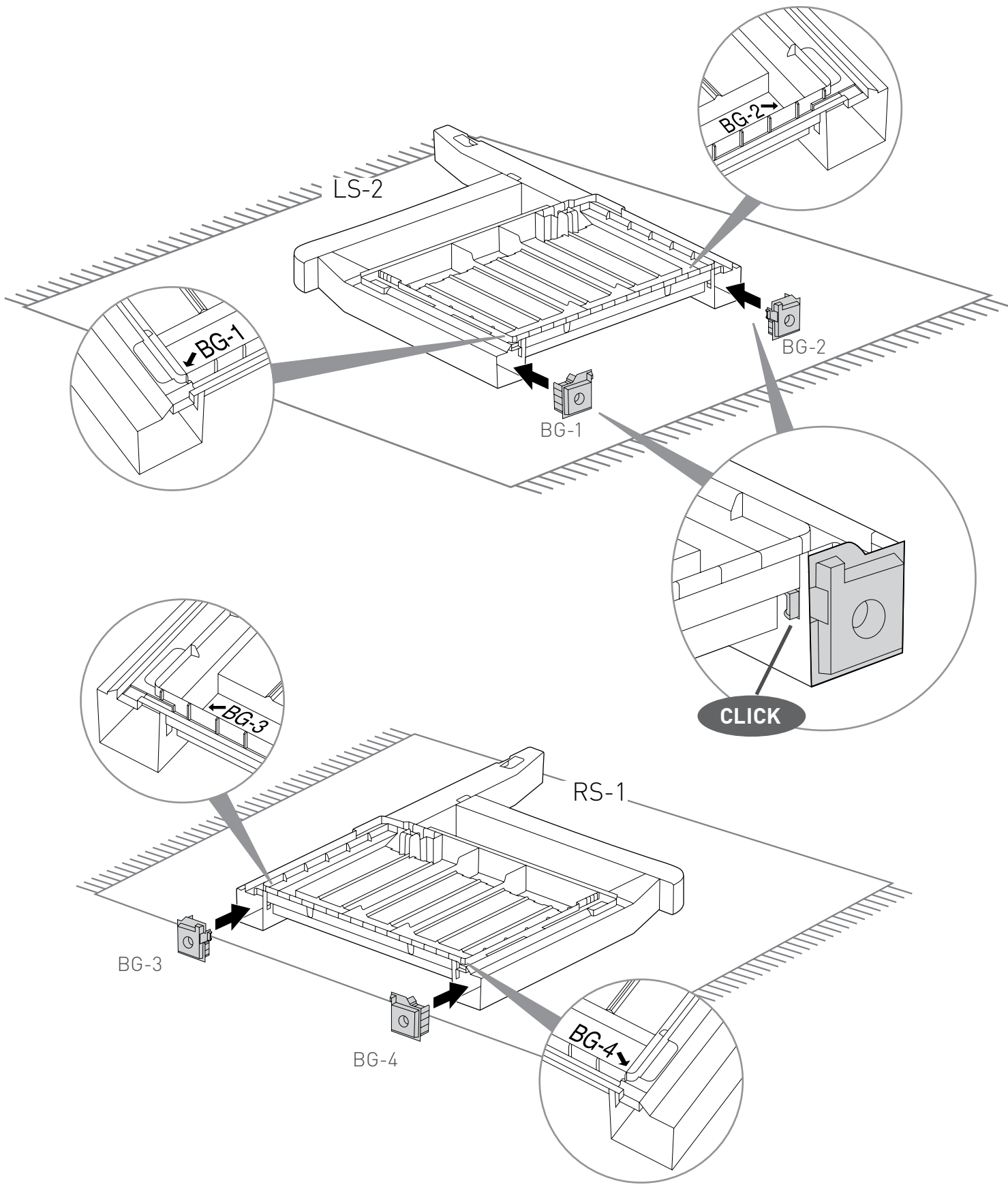
BN (x1)



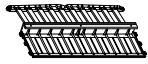
BK (x1)



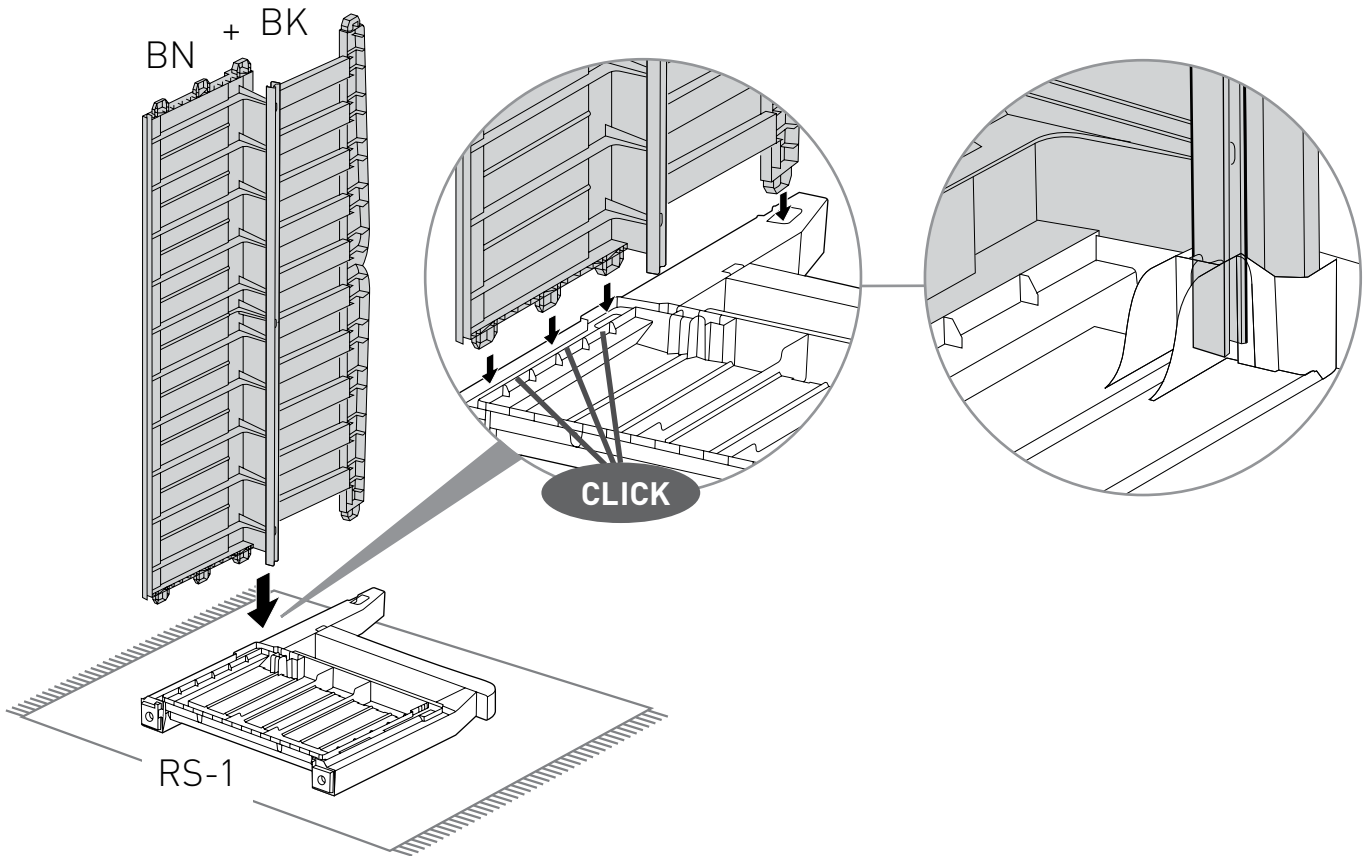
- 5 | LS-2 (x1) | RS-1 (x1) | BG-1 (x1) | BG-3 (x1)  
 BG-2 (x1) | BG-4 (x1)



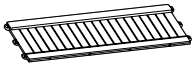
6



BN (x1)+BK (x1) | RS-1 (x1)



7

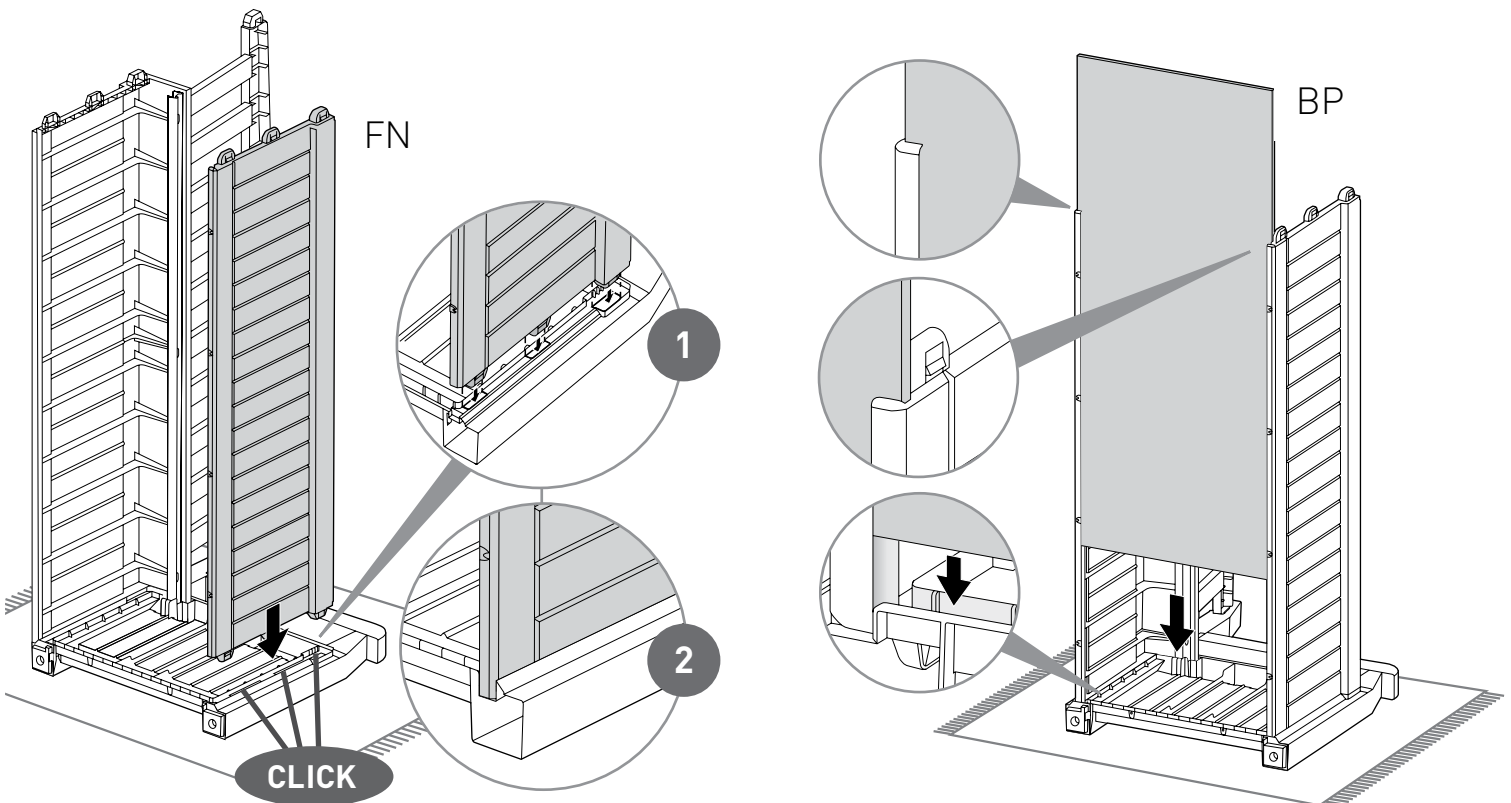


FN (x1)

8



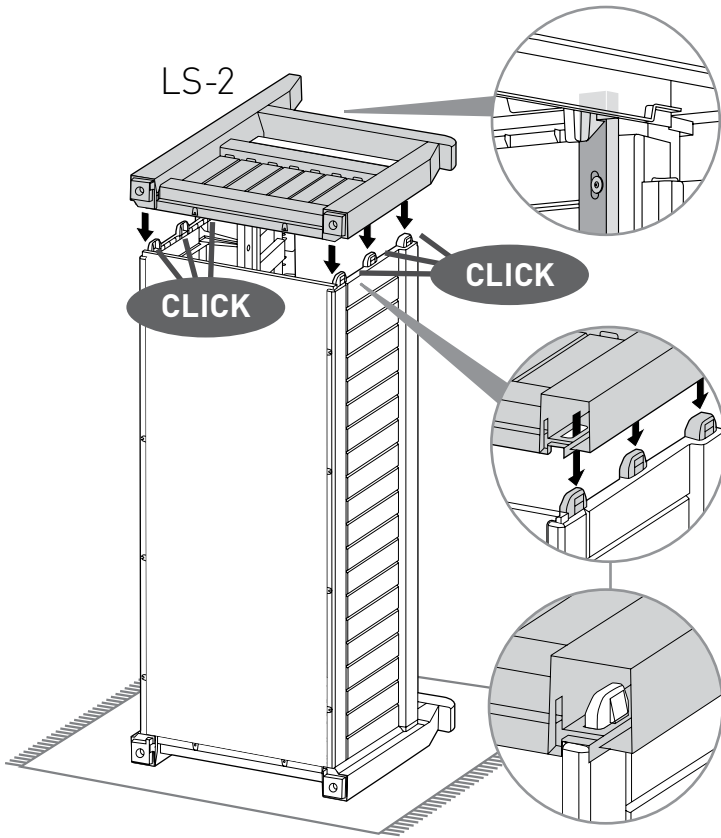
BP (x1)



9



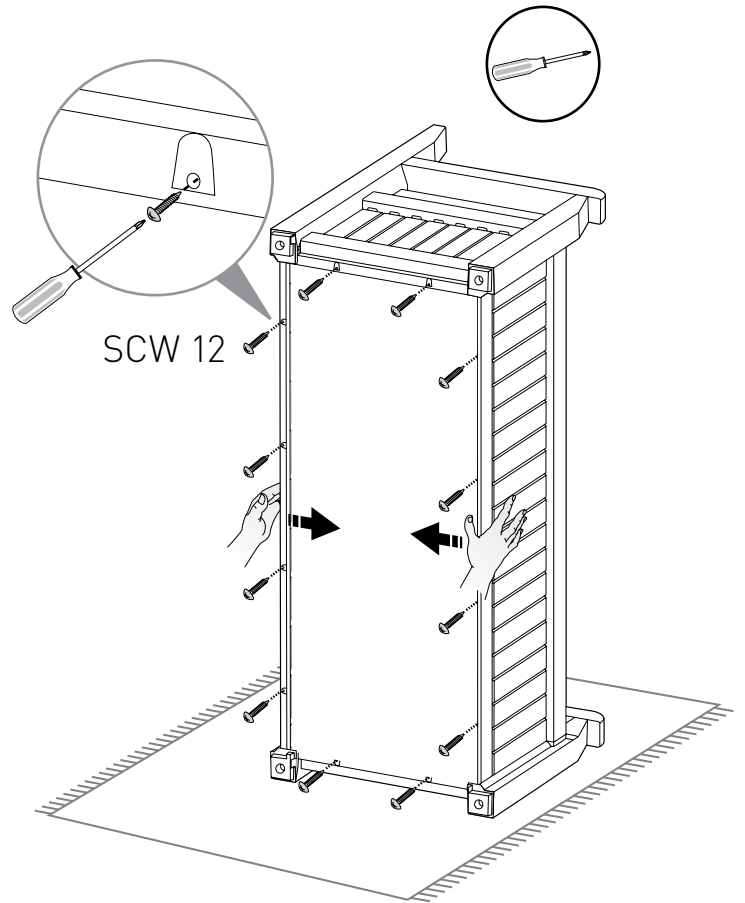
LS-2 (x1)



10



SCW 12 (x12)



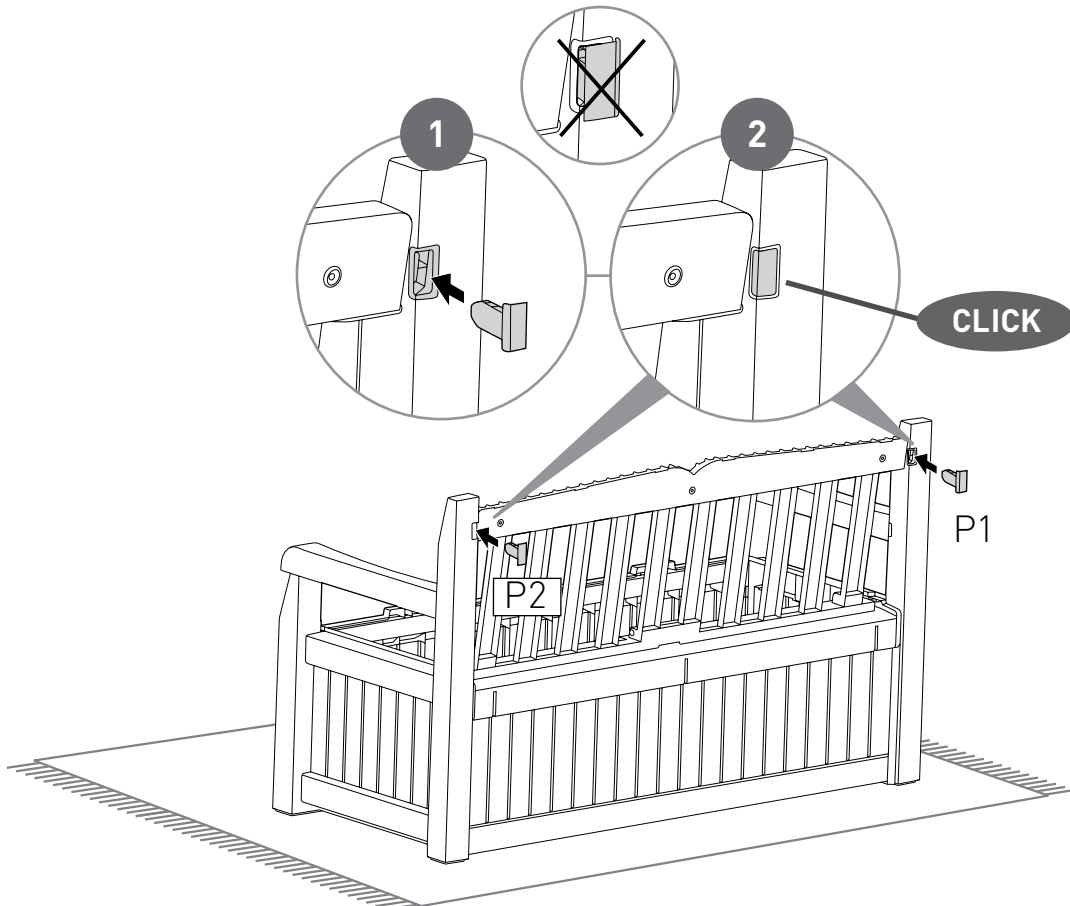
11



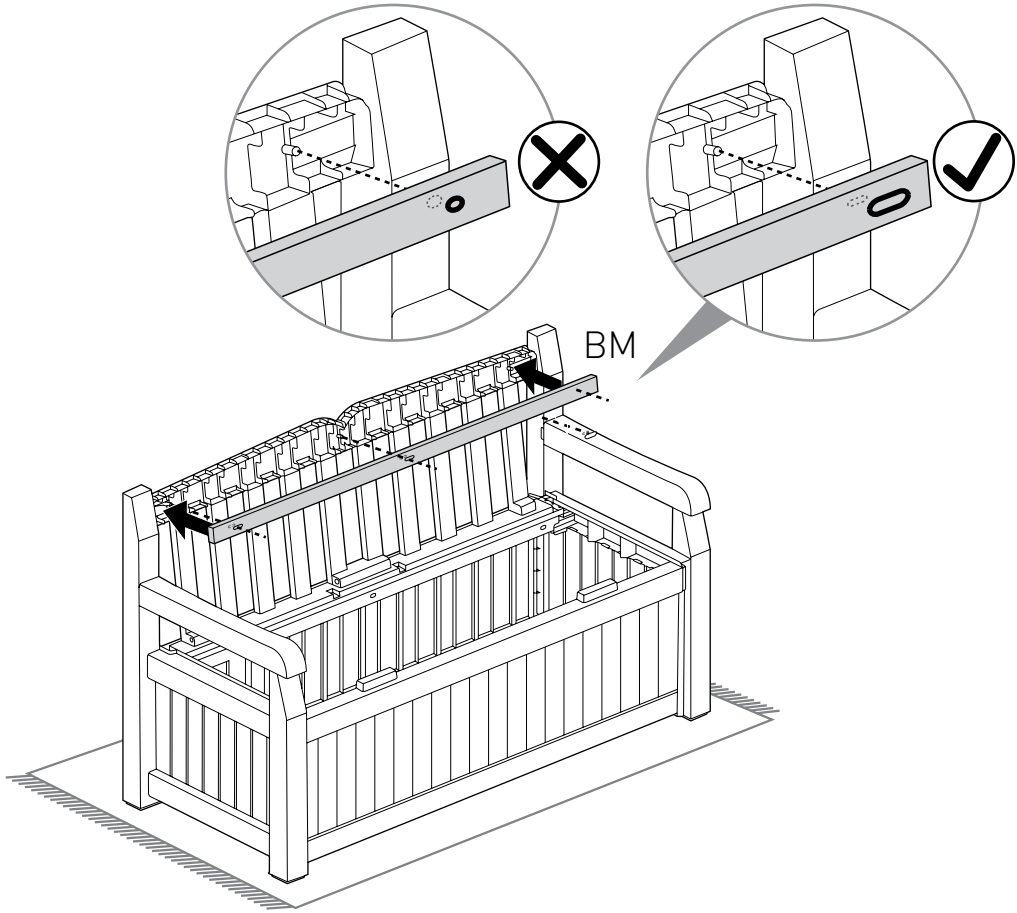
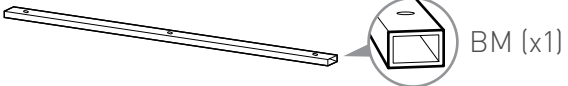
P-1 (x1)



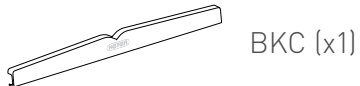
P-2 (x1)



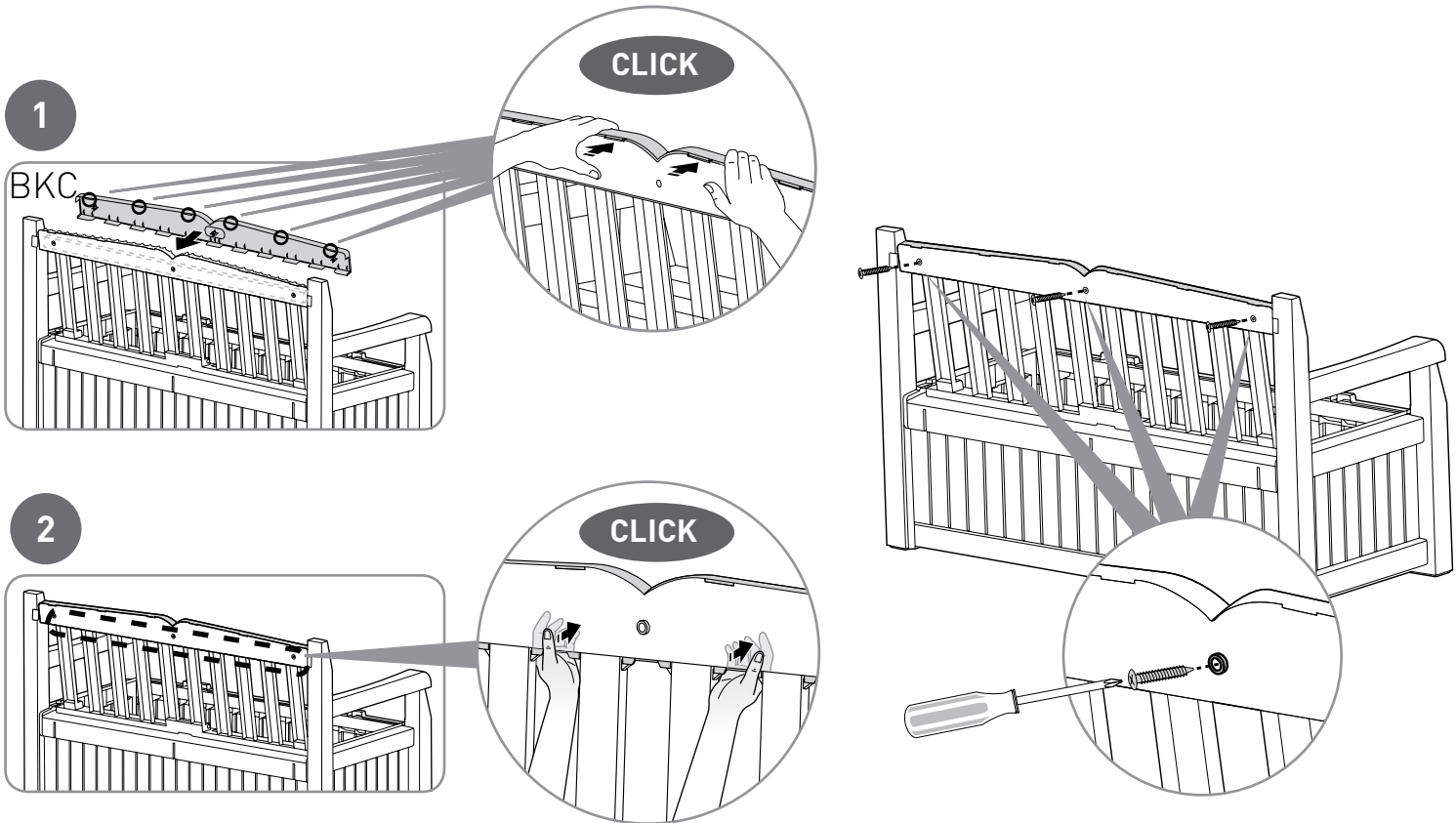
12



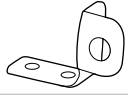
13



14



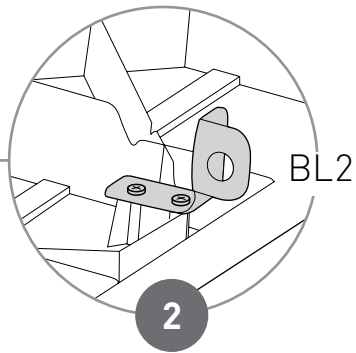
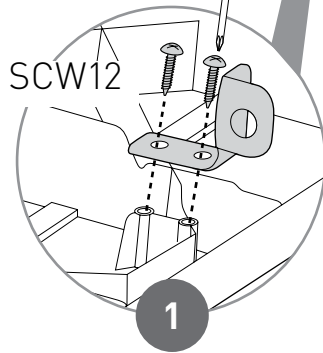
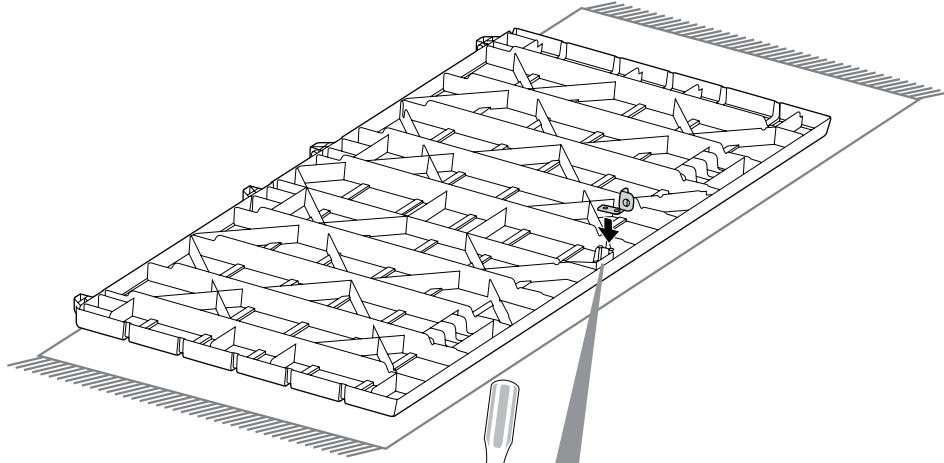
15



BL2 (x1)



SCW 12 (x2)



16



BC (x1)

